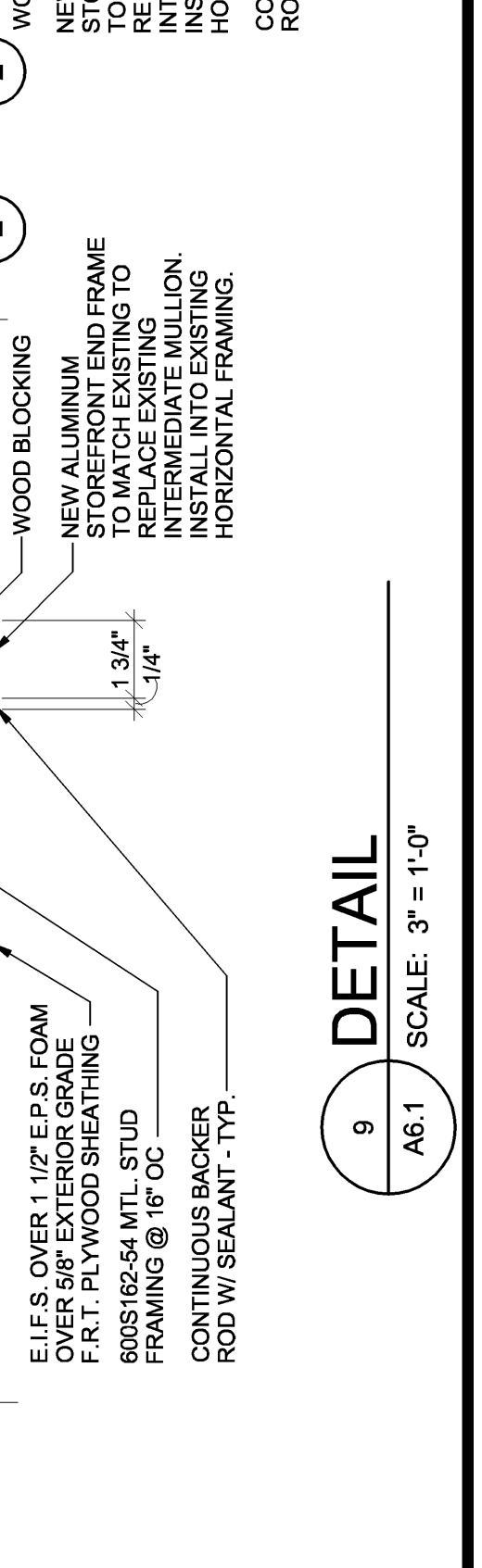
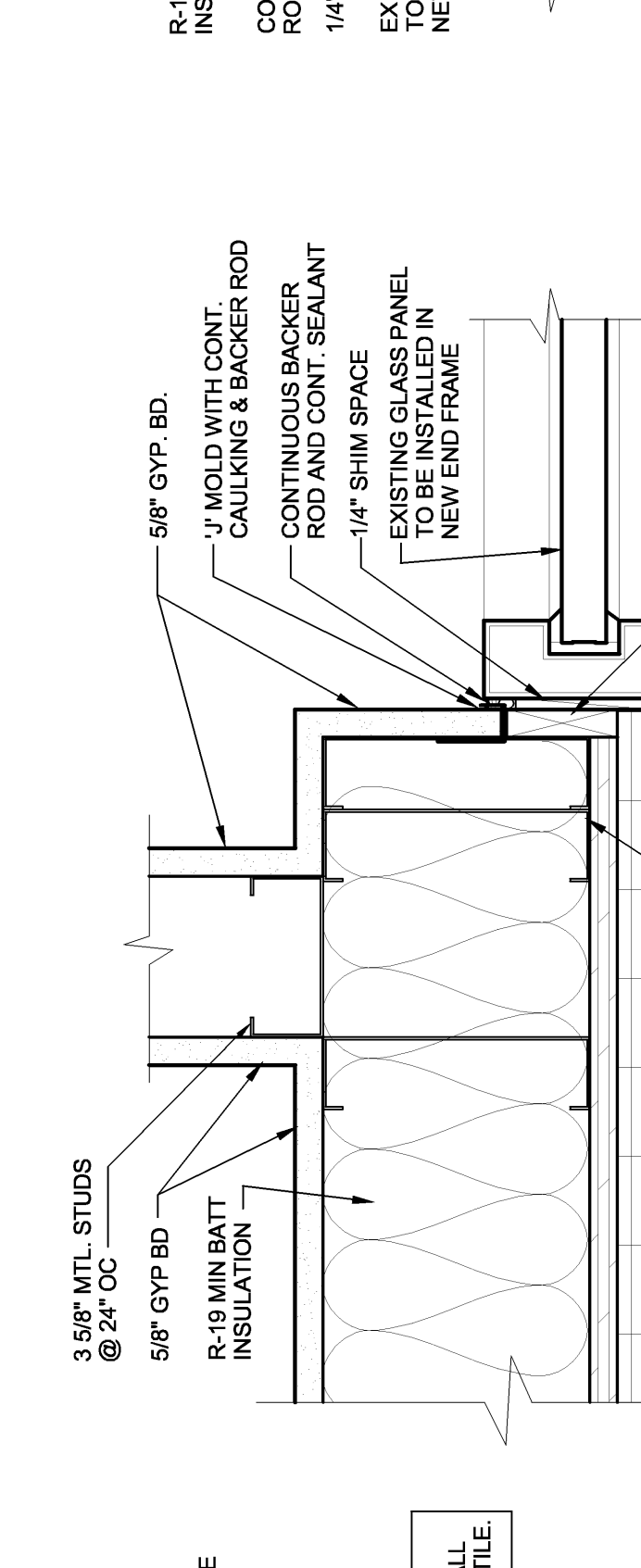
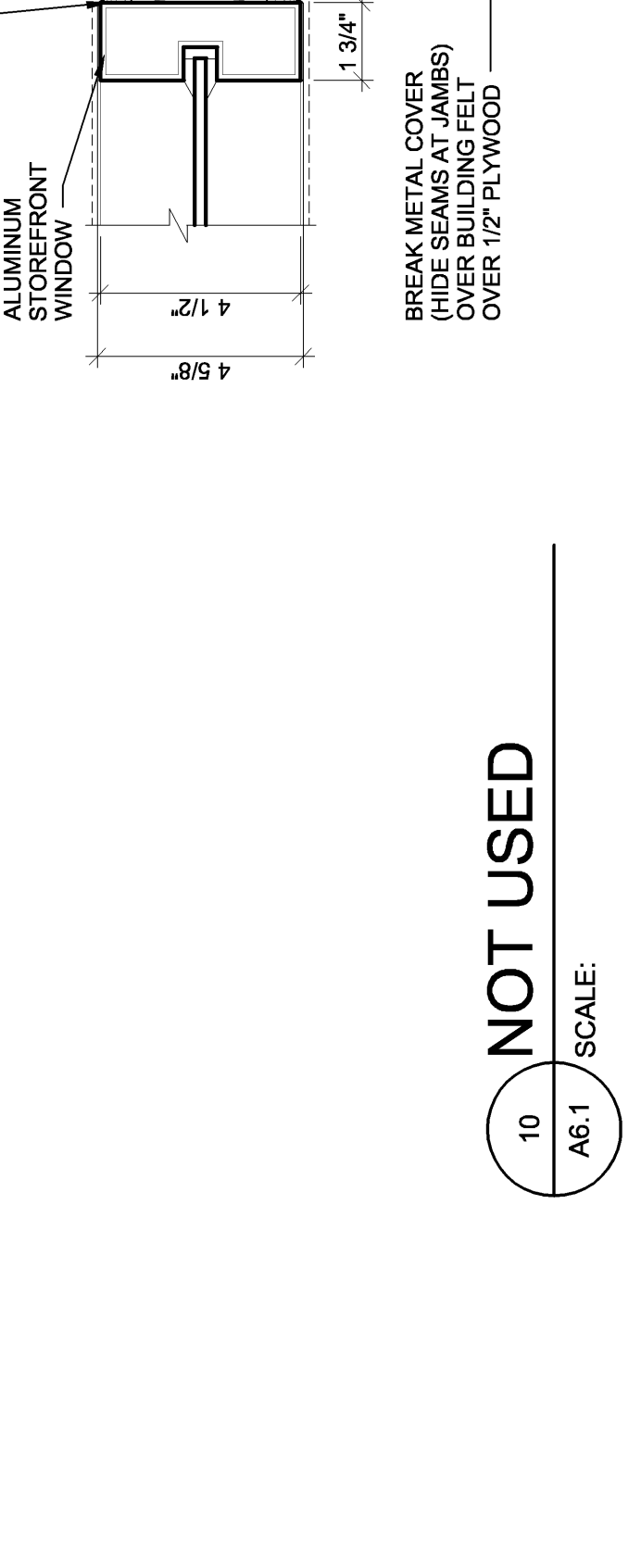
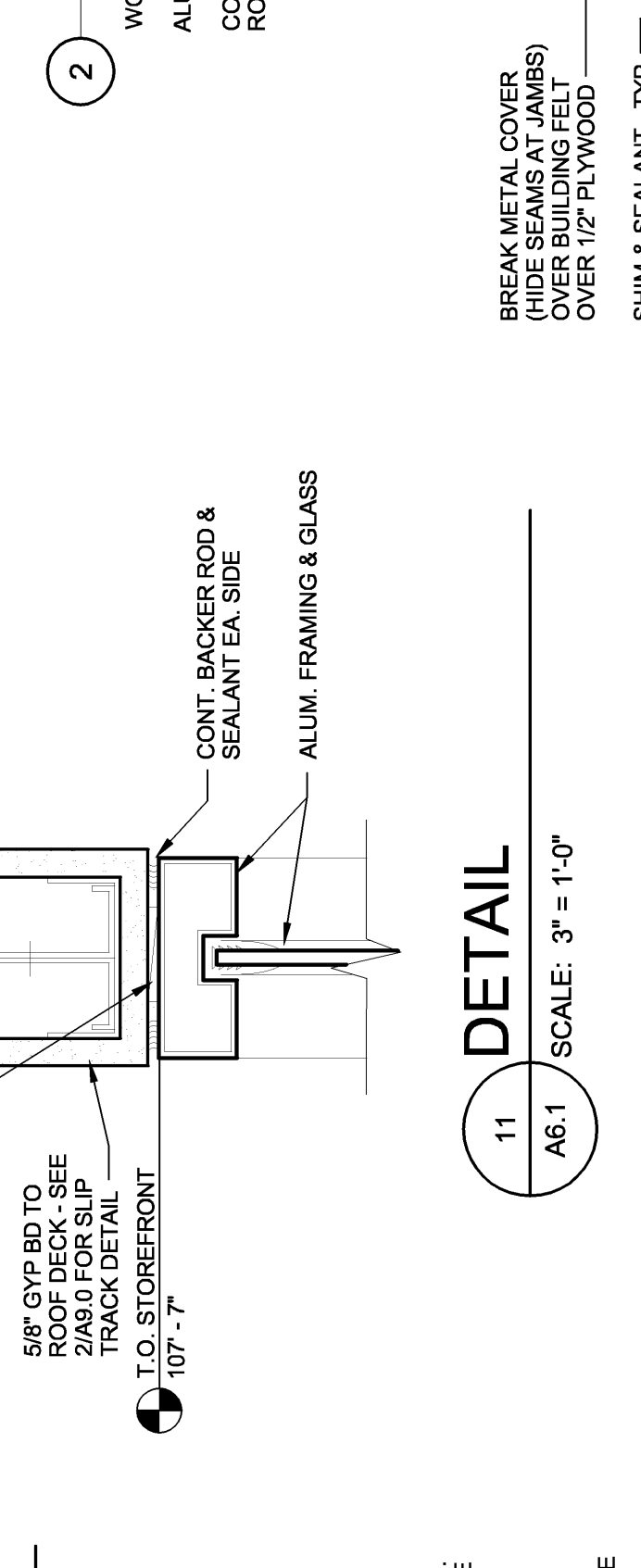
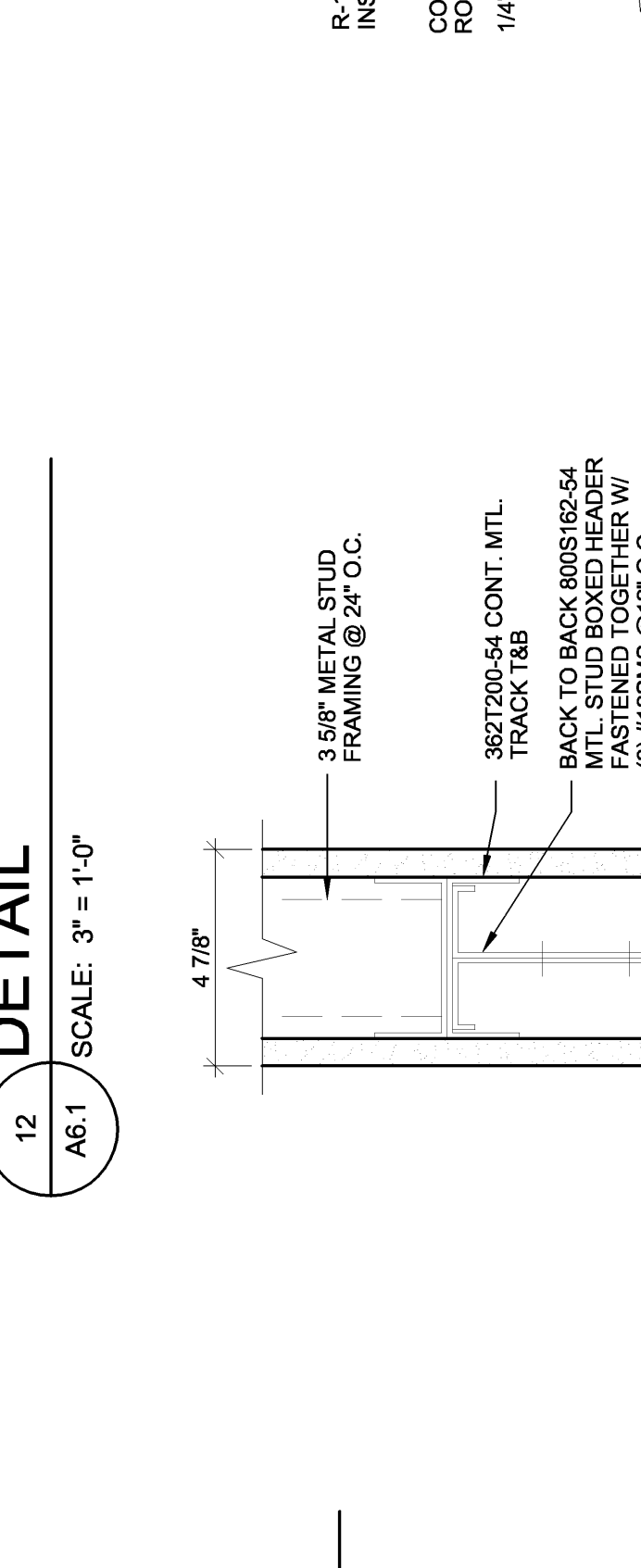
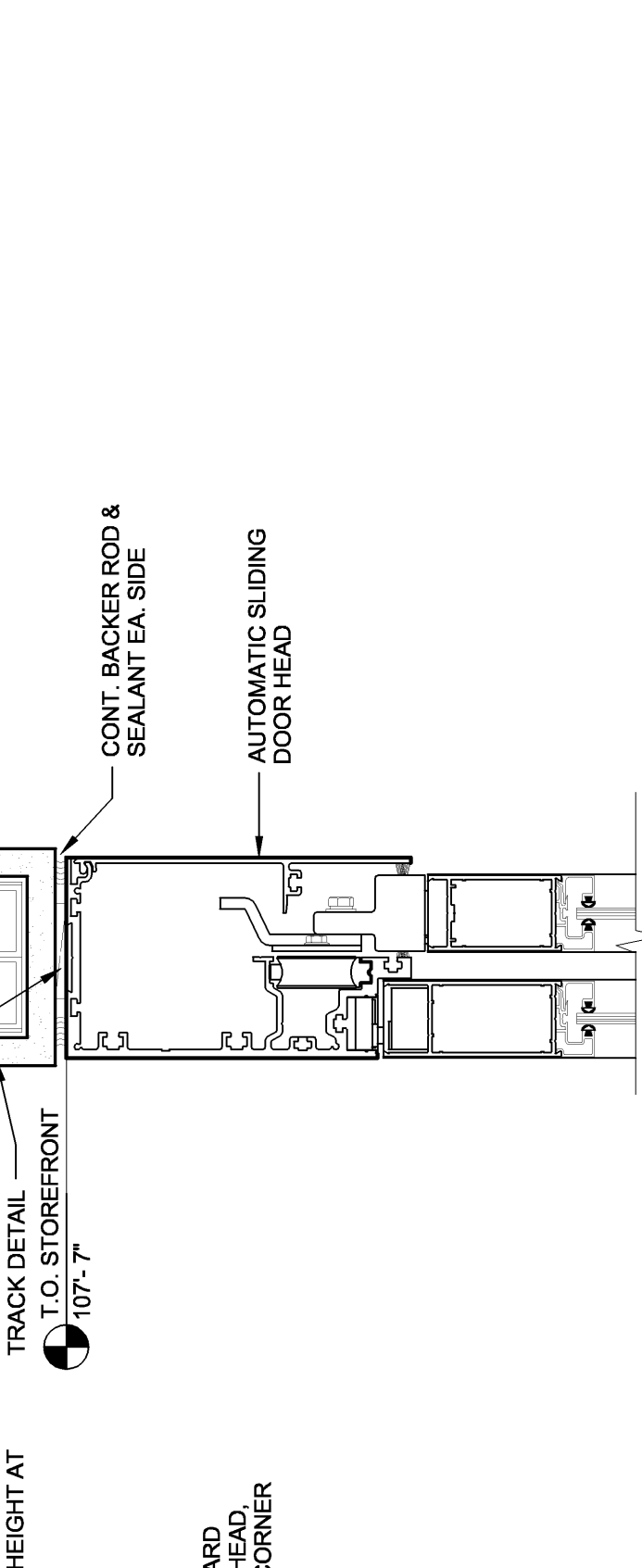
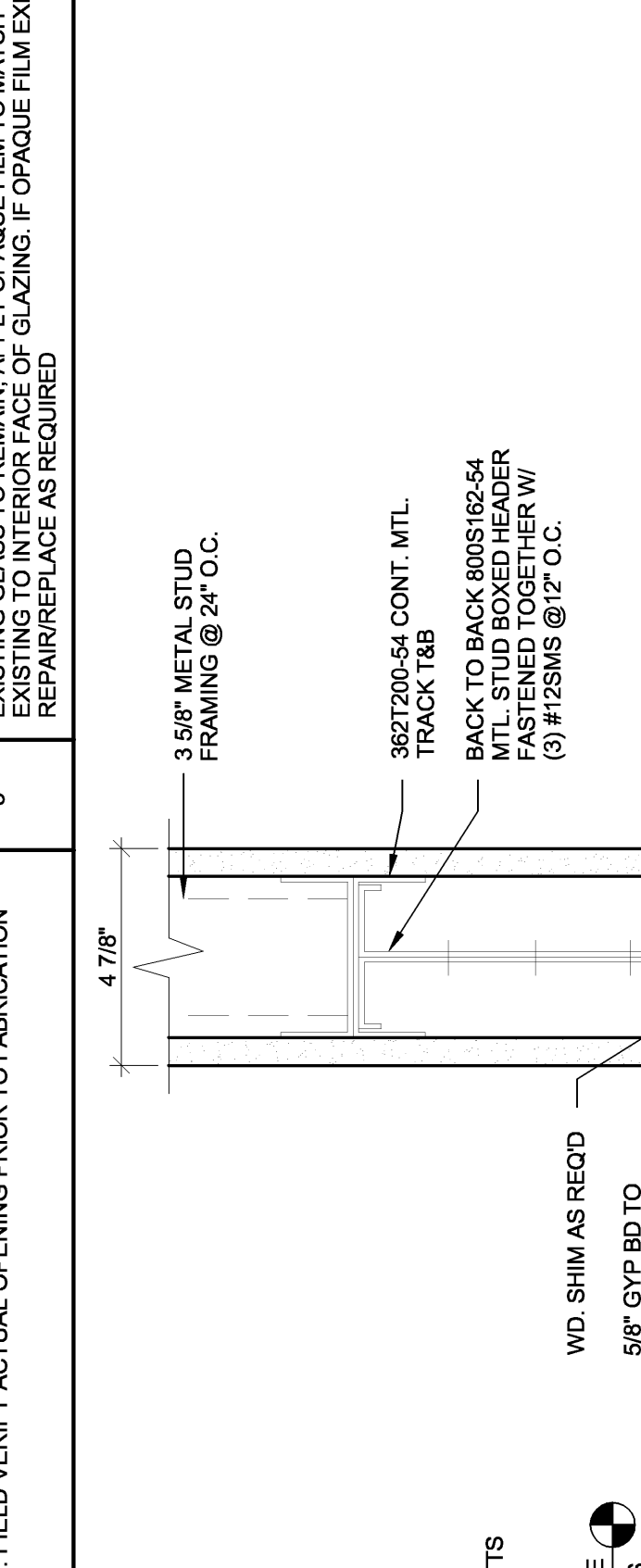


**GLASS TYPES:**

TYPE	DESCRIPTION
1	TEMPERED LOW-E INSULATING GLASS, VIBRACON SOLARSCREEN VISION GLASS, 1/2" CLEAR GLASS, 1/2" INSULATING MULLION @ TOP OF DOOR
2	1" HEAT STRENGTHENED LOW-E INSULATING GLASS, VIBRACON SOLARSCREEN VES-52 (GRAY) OR APPROVED EQUAL ABOVE HORIZONTAL MULLION @ TOP OF DOOR
3	1/4" CLEAR TEMPERED GLASS UP TO 60 INCHES ABOVE FINISHED DOOR
4	EXISTING GLASS TO REMAIN, APPLY VIBRACON FILM TO MATCH EXISTING SYSTEM TO MATCH EXISTING REPAIR/REPLACE AS REQUIRED
5	EXISTING GLASS TO REMAIN, APPLY VIBRACON FILM TO MATCH EXISTING SYSTEM TO MATCH EXISTING REPAIR/REPLACE AS REQUIRED



**GENERAL NOTES:**

1. ALL WINDOW FRAME SIZES SHOWN IN WINDOW SCHEDULE & WINDOW FRAME SIZES ARE SHOWN IN WINDOW SCHEDULE
2. REFER TO STOREFRONT SPECIFICATIONS
3. ALL EXTERIOR EXPOSED ALUMINUM SURFACES TO BE BLACK ANODIZED FINISH
4. NOT USED
5. FIELD VERIFY ACTUAL OPENING PRIOR TO FABRICATION

**WINDOW SCHEDULE**

MARK	WIDTH	HEIGHT	ROUGH OPENING	WINDOW TYPE	HEAD	JAMB	SILL	FINISH	REMARKS
G1	8'-0"	8'-0"	8'-4 1/4"	ALUM. GLASS	13/A6.1	13/A6.1	13/A6.1	BLACK ANODIZED	
G2	8'-0"	8'-0"	8'-4 1/4"	ALUM. GLASS	13/A6.1	13/A6.1	13/A6.1	BLACK ANODIZED	
G3	2'-0"	2'-0"	2'-4 1/4"	ALUM. GLASS	14/A6.1	14/A6.1	14/A6.1	BLACK ANODIZED	
G4	4'-0"	4'-0"	4'-4 1/4"	ALUM. GLASS	14/A6.1	14/A6.1	14/A6.1	BLACK ANODIZED	
G5	3'-0"	3'-0"	3'-4 1/4"	ALUM. GLASS	14/A6.1	14/A6.1	14/A6.1	BLACK ANODIZED	

