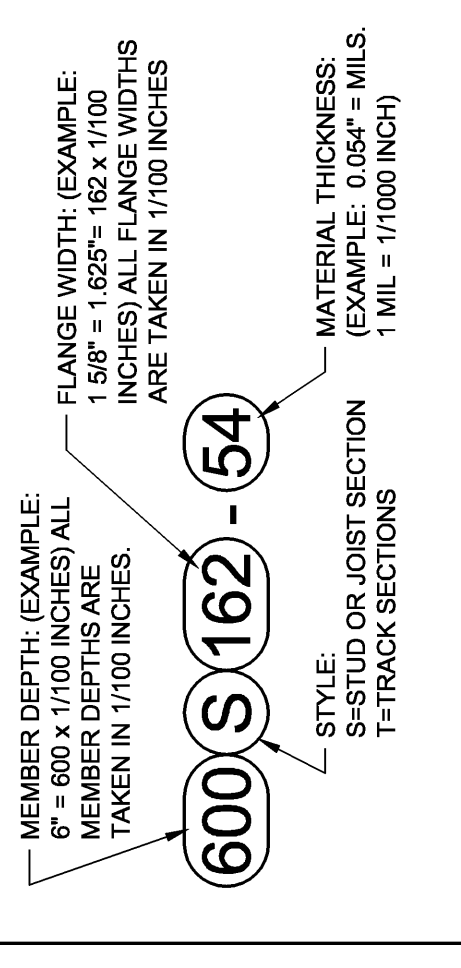


WALL TYPE GENERAL NOTES:

- ALL INTERIOR PARTITION DIMENSIONS ARE TO FACE OF GYP. BD. UNLESS NOTED OTHERWISE.
- DEFERRED "WET AREAS":
A. DRYING AREAS
B. RESTROOMS
C. RECEIVING WALLS ADJACENT TO MOP SINK & BEHIND WATER
D. MAINTENANCE/KENNEL ROOM (ALL WALLS)
E. FISH EQUIPMENT (ALL WALLS UP TO 4'-0" INCLUDING WALLS WALL TILE. SEE DETAILS ON SHEETS A11.0).
- ALL WALLS IN DEFERRED WET AREAS TO RECEIVE MOISTURE RESISTANT INTERIOR PANEL (DENS ARMOR PLUS BY GEORGIA PACIFIC) BEHIND ALL ACRYOYAN WALL PANEL AND CERAMIC TILE. SEE DETAILS ON SHEETS A11.0.
- USE 1/2" WATER RESISTANT INTERIOR PANEL (DENS ARMOR PLUS BY GEORGIA PACIFIC) BEHIND ALL ACRYOYAN WALL PANEL AND CERAMIC TILE. SEE DETAILS ON SHEETS A11.0.
- SEE BID ALTERNATE FOR GYP. BD TEXTURED WALL FINISH (ORANGE PEEL) ON SHEET A10.0.
- USE 1/2" WATER RESISTANT INTERIOR PANEL (DENS ARMOR PLUS BY GEORGIA PACIFIC) BEHIND ALL ACRYOYAN WALL PANELS.
- ALL SEALANT IN WET AREAS SHALL BE SIKA SIKAFLEX 1A ON 1/2" POLYURETHANE SEALANT. FOR COLORS & LOCATIONS, SEE SCHEDULE ON A7.0.
- REFER TO INTERIOR ELEVATIONS AND ROOM FINISH SCHEDULE FOR ADDITIONAL INFORMATION.
- ALL WALLS BEHIND MILLWORK SHALL HAVE FINAL FINISH PRIOR TO INSTALLATION. ALL FLOORING MATERIAL SHALL BE INSTALLED PRIOR TO WALL INSTALLATION. FINISHES SHALL BE APPLICABLE AFTER MILLWORK IS INSTALLED.
- INSURE BLOCKING IS INSTALLED FOR ALL WALL MOUNTED ITEMS SEE BLOCKING SCHEDULE FOR ADDITIONAL INFORMATION.
- AT BATHING, ALL RECEPTACLES AND PLUMBING DEVICES ARE TO BE SURFACE MOUNTED.
- BOTTOM TRACK AT ALL WET LOCATIONS TO BE SET IN CONTINUOUS BED OF SIKA SIKAFLEX 1A POLYURETHANE SEALANT.
- REFER TO FINISH SCHEDULE, INTERIOR ELEVATIONS, AND DETAILS FOR BASE TYPE AND DETAILS.

COLD-FORMED STEEL IDENTIFICATION LEGEND



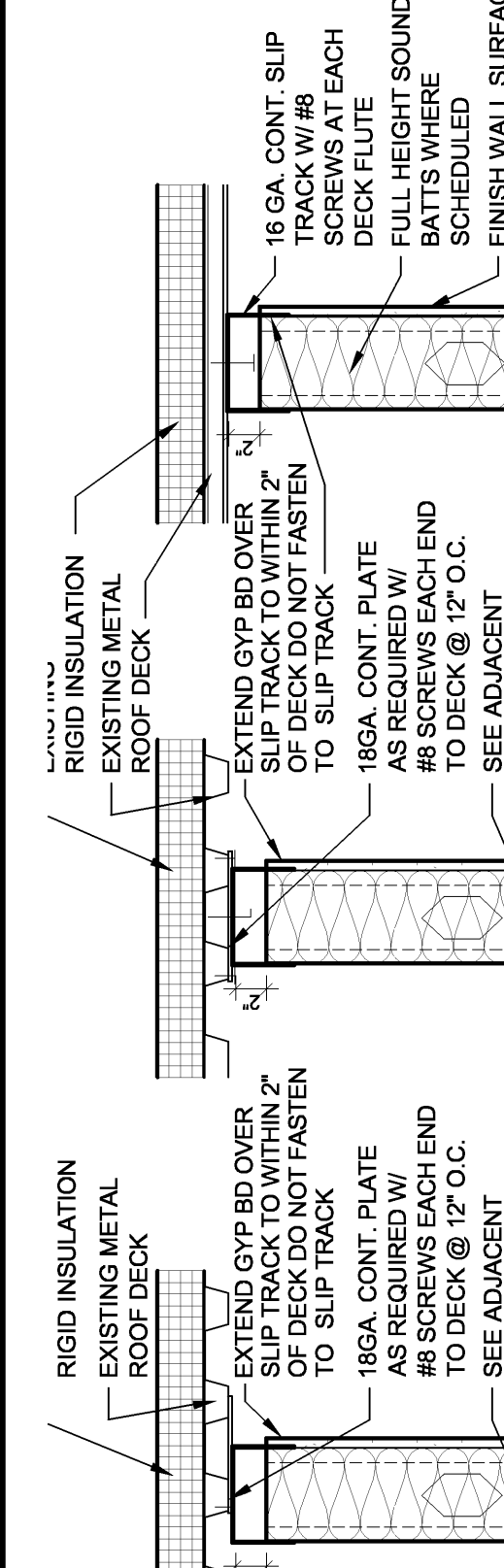
STUD SCHEDULE:

TYPE	GAUGE	MAXIMUM CLEAR HEIGHT (1) (2)
362S162-53	20	15'-2"
362S162-43	18	15'-5"
362S162-54	16	17'-8"
400S162-33	20	16'-4"
400S162-43	18	17'-9"
600S162-54	20	22'-4"
600S162-43	18	24'-2"

- CLIP BRACKET IS TO BE INSTALLED FROM FLOOR TO TOP OF WALL OR TO BRACE LOCATION (HORIZ. OR DIAGONAL KNEE BRACE).
- SEE DETAIL 15A12.0 FOR BRACING REQUIREMENTS FOR CORROSION RESISTANT STEEL, CORRESPONDING TO THE REQUIREMENTS OF ASTM A633, WHICH IS TO BE USED FOR ALL TRACKS AND STUDS. ALL WALLS AND 43 MILS MEMBERS, AND 50,000 PSI FOR ALL 24 MILS, 68 MILS, AND 70 MILS MEMBERS. METAL STUD MANUFACTURER ASSOCIATIONS (F.L.C.O. No. 463) OR APPROVED EQUAL. STUDS SHALL BE A MINIMUM .03 MILS TO .04 MILS THICKNESS. TRACKS SHALL BE 54 MILS, WITH A MINIMUM FLANGE OF 1.25" BRIDGING SHALL BE COLD ROLLED CHANNEL, MINIMUM 1.5" DEEP VERTICALLY DOUBLE LIP STUDS AT ALL JAMBS, ALL CONNECTIONS TO FRAMING MEMBERS, OTHER THAN RUNNER TRACKS SHALL NOT BE PERMITTED. ANCHOR RUNNER TRACK TO CONCRETE WITH 145x1.5" HILTI FASTENERS PER I.C.B.O. #2888 AT 12" O.C. MAX.

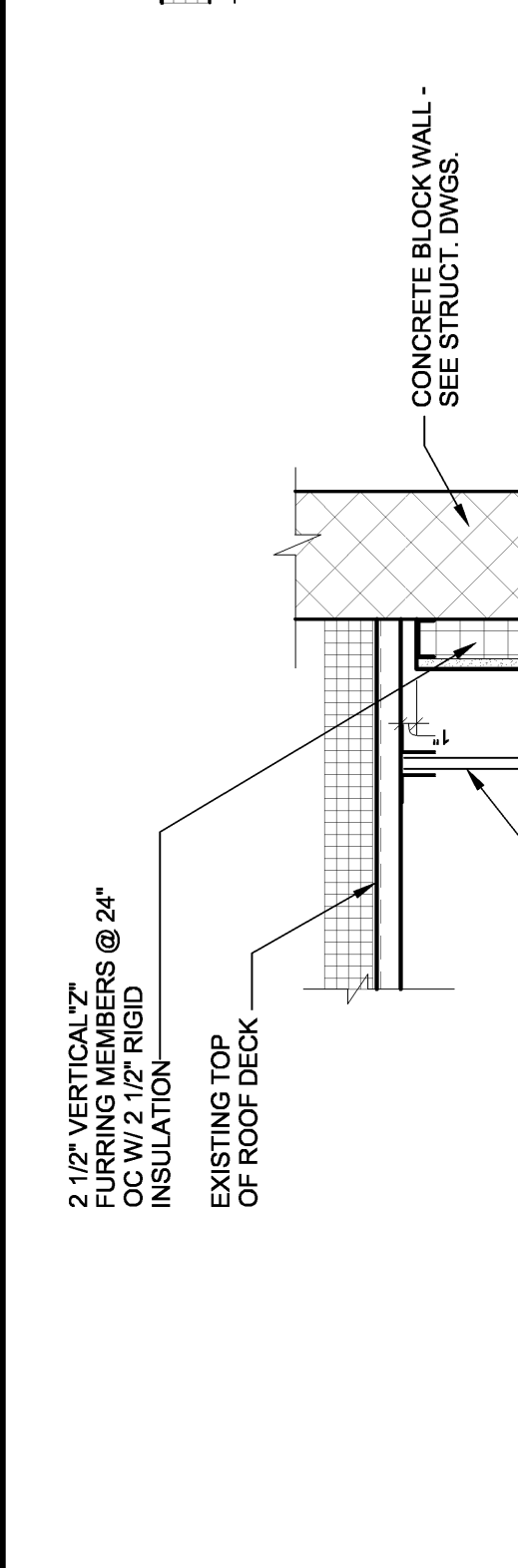
WALL PARTITION INSULATION LEGEND

- WALL TYPE #45
X = NUMBER IDENTIFYING WALL TYPE
Y = LETTER IDENTIFYING TYPE & EXTENT OF INSULATION
- INSULATION DESCRIPTION
- "A" UNFACED 3 1/2" BATT INSULATION FULL HEIGHT
 - "B" UNFACED 3 1/2" BATT INSULATION FULL HEIGHT UNFACED 6" BATT INSULATION FULL HEIGHT
 - "C" UNFACED 6" BATT INSULATION TO 8' ABOVE FINISHED CEILING
 - "D" UNFACED 6" BATT INSULATION TO 8' ABOVE FINISHED CEILING
 - "E" UNFACED 6" BATT INSULATION TO 8' ABOVE FINISHED CEILING
 - "F" 2 1/2" RIGID INSULATION TO 8' ABOVE FINISHED CEILING



- NOTES:
1. ONLY FASTEN WALLBOARD WITHIN 1" OF BOTTOM OF SLIP TRACK. IN PLACE OF CONTINUOUS SLIP TRACK, METAL STUD CONNECTOR MAY BE USED. VERTICAL BRAND SLIP CONNECTION TO DECK STRUCTURE SHALL NOT EXTEND BEYOND TOP OF DECK ELEVATION.

2 SLIP TRACK DETAILS
SCALE: 1" = 1'-0"



- NOTES:
1. ONLY FASTEN WALLBOARD WITHIN 1" OF BOTTOM OF SLIP TRACK. IN PLACE OF CONTINUOUS SLIP TRACK, METAL STUD CONNECTOR MAY BE USED. VERTICAL BRAND SLIP CONNECTION TO DECK STRUCTURE SHALL NOT EXTEND BEYOND TOP OF DECK ELEVATION.

3 DETAIL
SCALE: 1" = 1'-0"



- NOTES:
1. ONLY FASTEN WALLBOARD WITHIN 1" OF BOTTOM OF SLIP TRACK. IN PLACE OF CONTINUOUS SLIP TRACK, METAL STUD CONNECTOR MAY BE USED. VERTICAL BRAND SLIP CONNECTION TO DECK STRUCTURE SHALL NOT EXTEND BEYOND TOP OF DECK ELEVATION.

1 WALL TYPES
SCALE: 3/4" = 1'-0"

