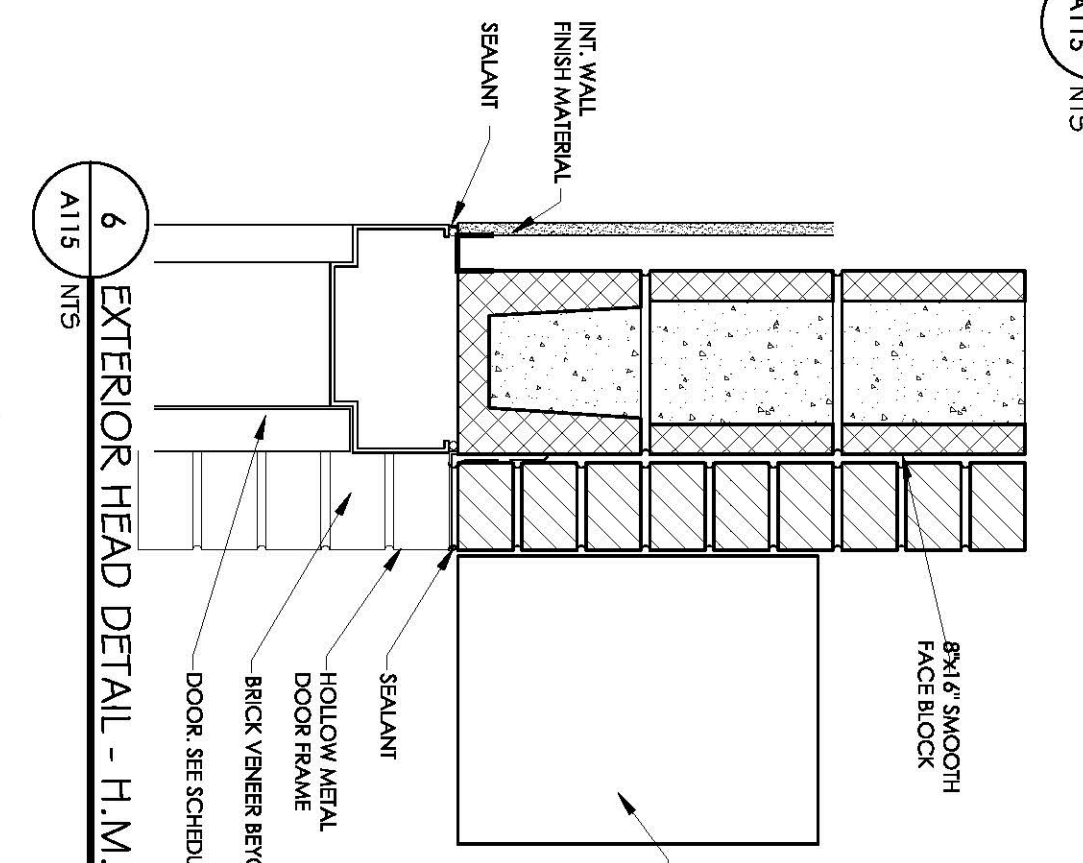
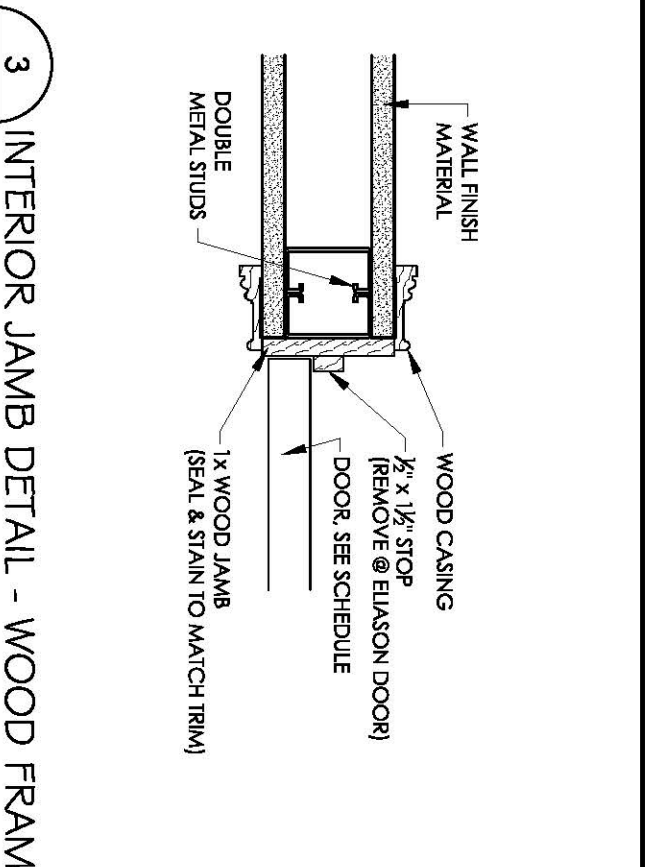


1 DOOR ELEVATIONS
A115 1/4" = 1'-0" VIEW FROM INTERIOR

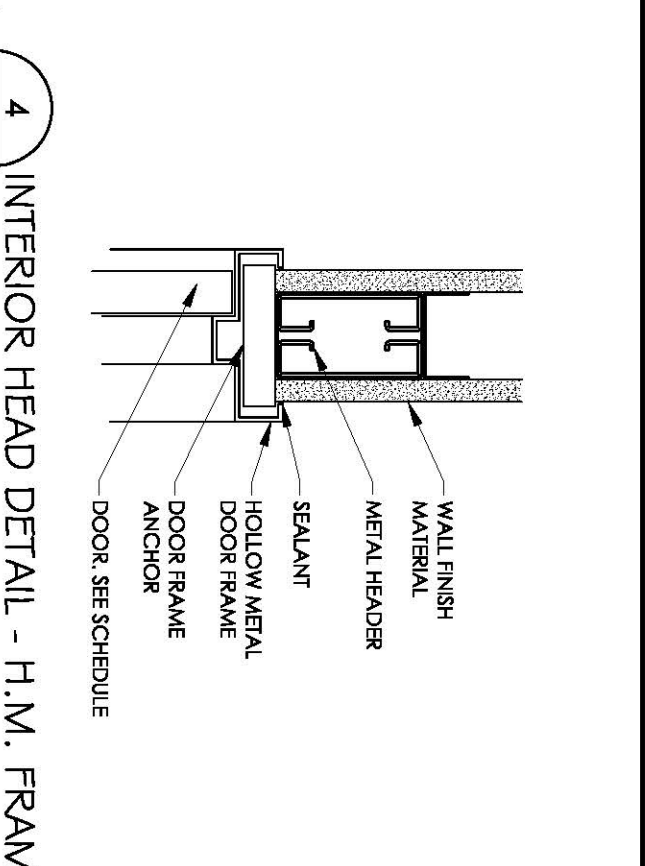
DOOR NO.	DOOR SIZE	MATERIAL	FINISH	DETAIL			REMARKS
				HEAD	JAMB	THRESHOLD	
1	3'-0" X 7'-0"	ALUM.	BLACK	8A115	21A115	1	REMOVE AND REINSTALL PER FRAME AND THRESHOLD FOR MATCH. REMOVE TO CONFORM WITH ADV. SCHEDULE
2	3'-0" X 7'-0"	ALUM.	BLACK	8A115	9A115	1	REMOVE AND REINSTALL PER FRAME AND THRESHOLD FOR MATCH. REMOVE TO CONFORM WITH ADV. SCHEDULE
3	3'-0" X 7'-0"	ALUM.	BLACK	12A115	10A115	2	TEMPERED SINGLE FRAME W/ TRANSONOM
4	3'-0" X 6'-8"	S.C. WOOD	BLACK	12A115	10A115	3	TEMPERED SINGLE FRAME W/ TRANSONOM
5	3'-0" X 6'-8"	S.C. WOOD	STAIN	22A115	10A115	3	WOOD PROVIDE 1/2" WORKING SPACE. SEE DET. 4A112
6	3'-0" X 6'-8"	S.C. WOOD	STAIN	21A115	10A115	4	WOOD
7	2'-6" X 6'-8"	3/4" WOOD & LAM.	PERN.	21A115	10A115	5	ELVATION DOOR TOP. COOR #79-281
8	3'-0" X 7'-0"	H.M.	PAINT	4A115	5A115	6	PAINT DOOR & FRAME TO MATCH. SURRENDERING FINISH. BOTH SIDES.
9	3'-0" X 7'-0"	H.M.	PAINT	6A115	11A115	7	PAINT INTERIOR OF DOOR & FRAME P-1.
10	3'-0" X 7'-0"	H.M.	PAINT	22A115	22A115	8	PAINT INTERIOR OF DOOR & FRAME P-1.
11	3'-0" X 7'-0"	H.M.	PAINT	22A115	22A115	8	H.M. (RESTROOM HC STALL DOOR)
12	3'-0" X 5'-8"	S.C. WOOD	STAIN	3A115	10A115	9	WOOD
13	3'-0" X 5'-8"	S.C. WOOD	STAIN				REFER TO DETAIL 4A112
14	GATE @ CANYON					10	



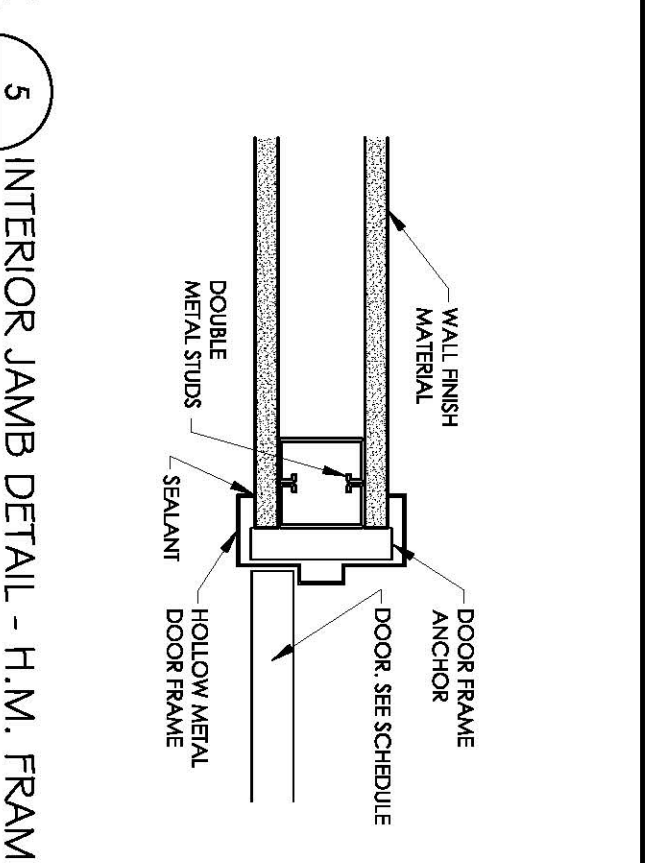
2 INTERIOR HEAD DETAIL - WOOD FRAME
A115 NTS



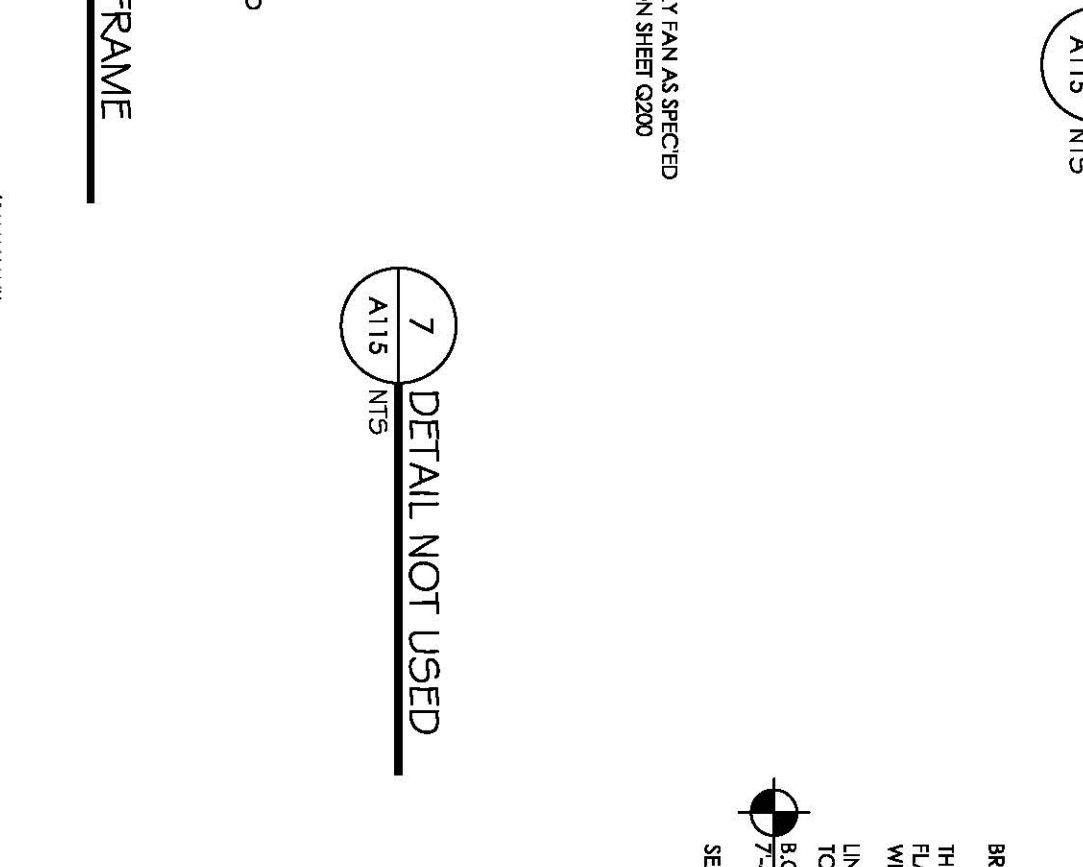
3 INTERIOR JAMB DETAIL - WOOD FRAME
A115 NTS



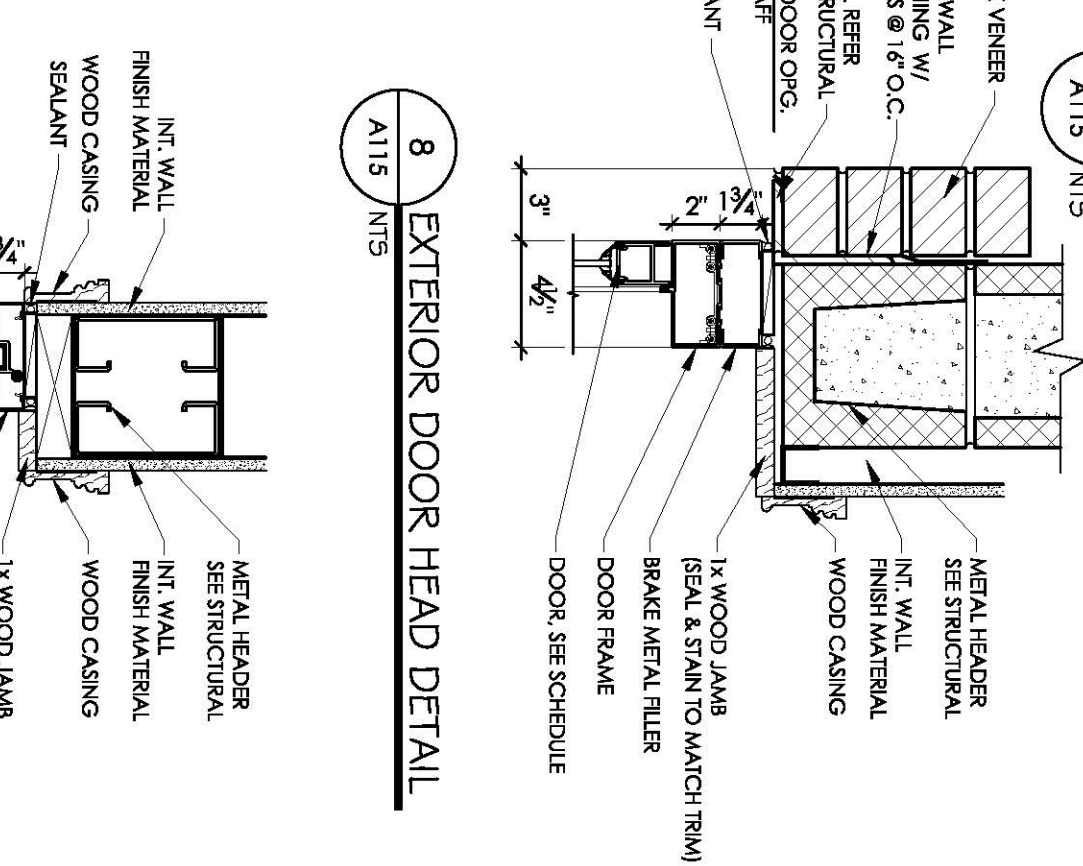
4 INTERIOR HEAD DETAIL - H.M. FRAME
A115 NTS



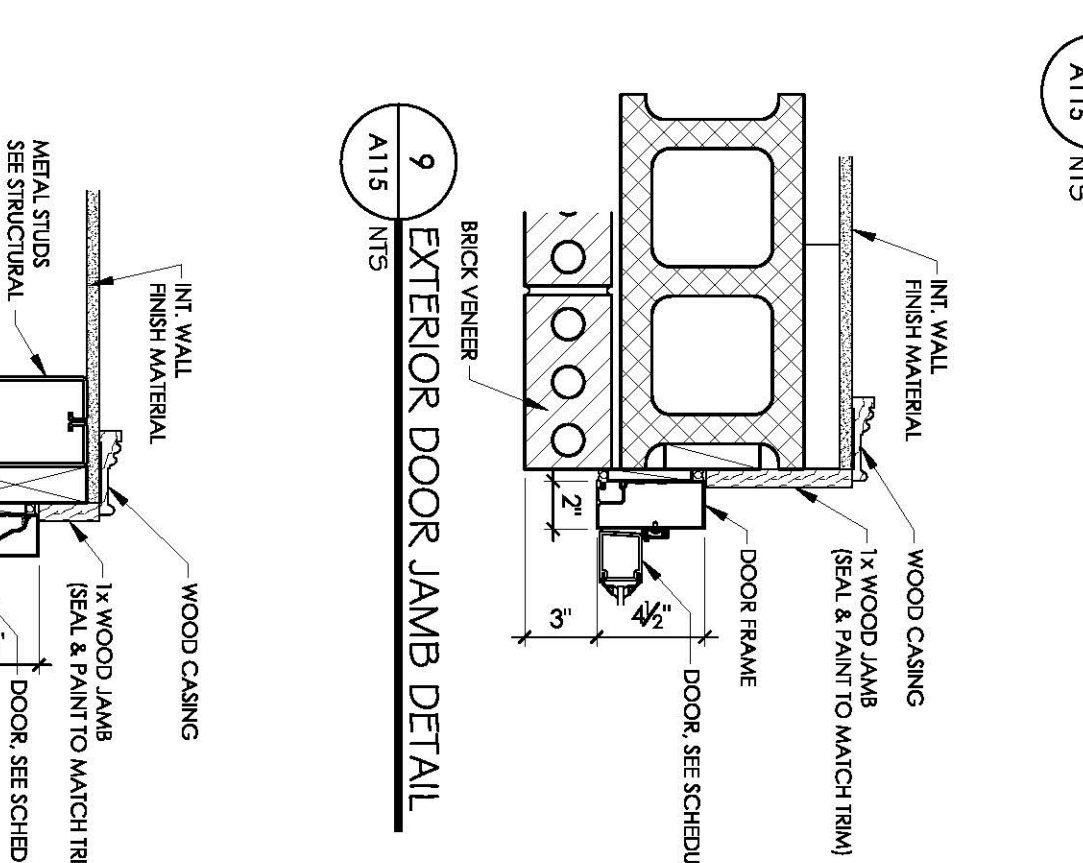
5 INTERIOR JAMB DETAIL - H.M. FRAME
A115 NTS



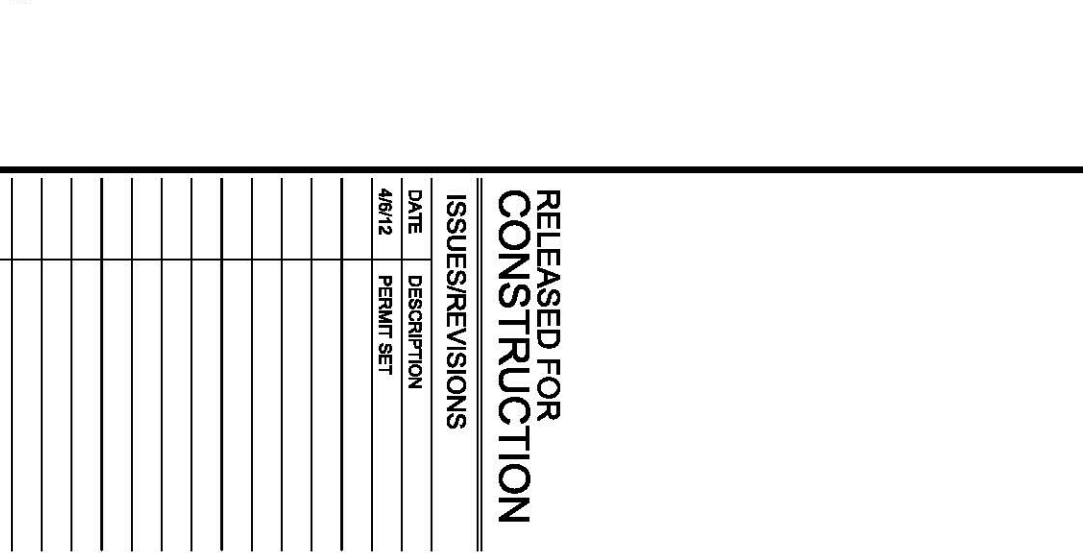
6 EXTERIOR HEAD DETAIL - H.M. FRAME
A115 NTS



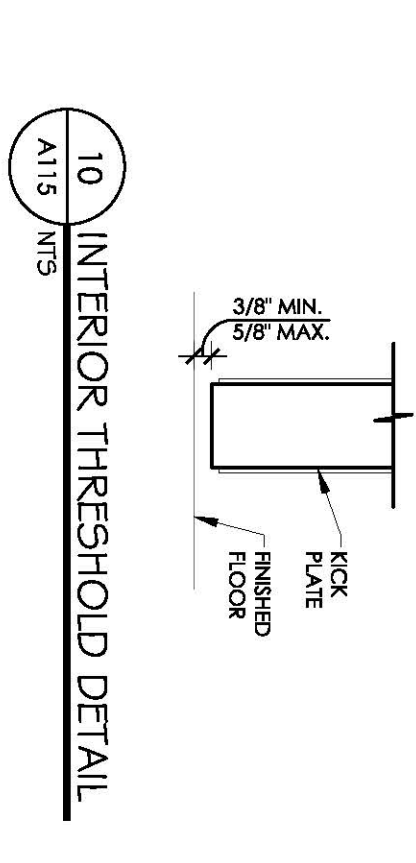
7 DETAIL NOT USED
A115 NTS



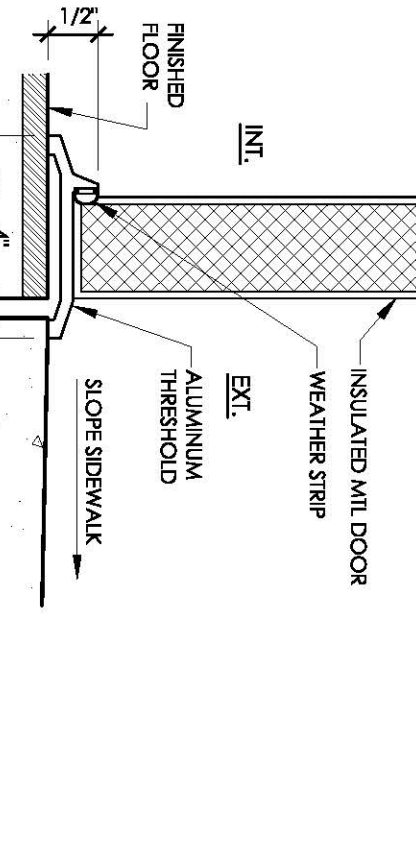
8 EXTERIOR DOOR HEAD DETAIL
A115 NTS



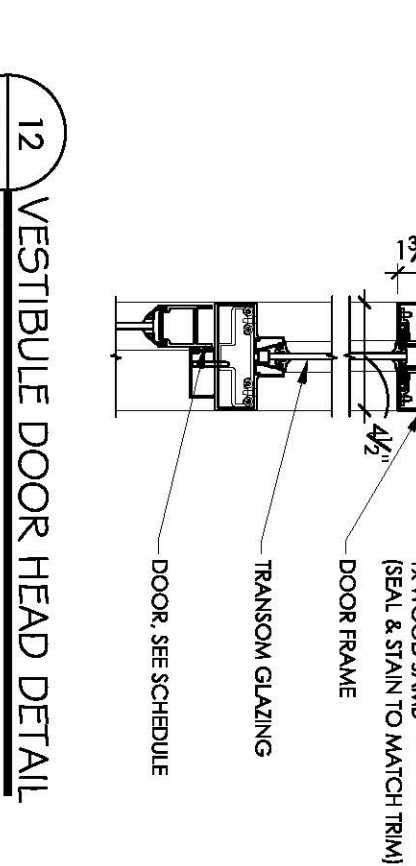
9 EXTERIOR DOOR JAMB DETAIL
A115 NTS



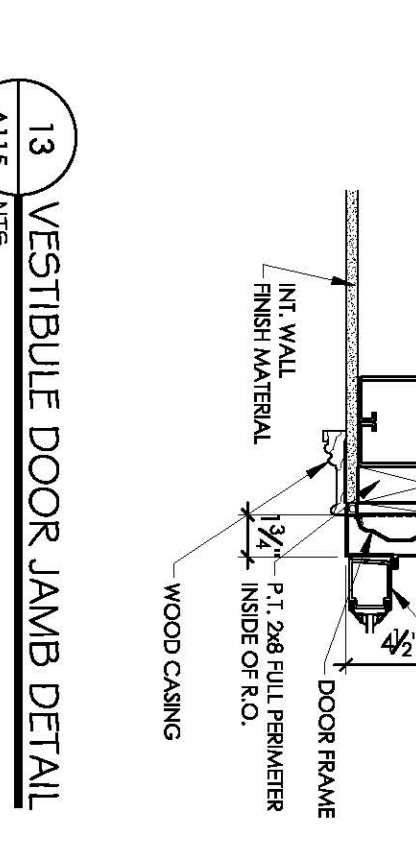
10 INTERIOR THRESHOLD DETAIL
A115 NTS



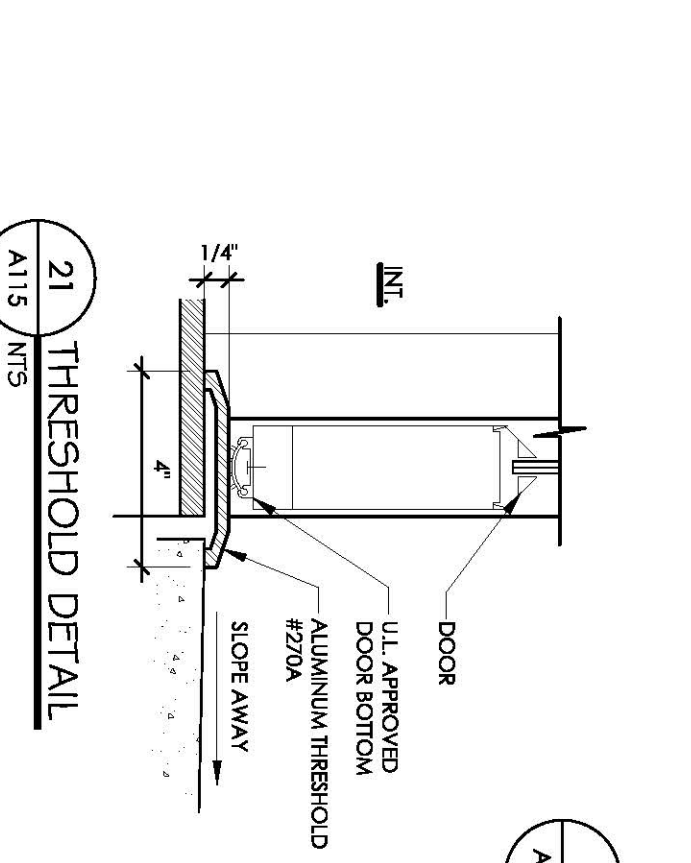
11 EXTERIOR THRESHOLD DETAIL
A115 NTS



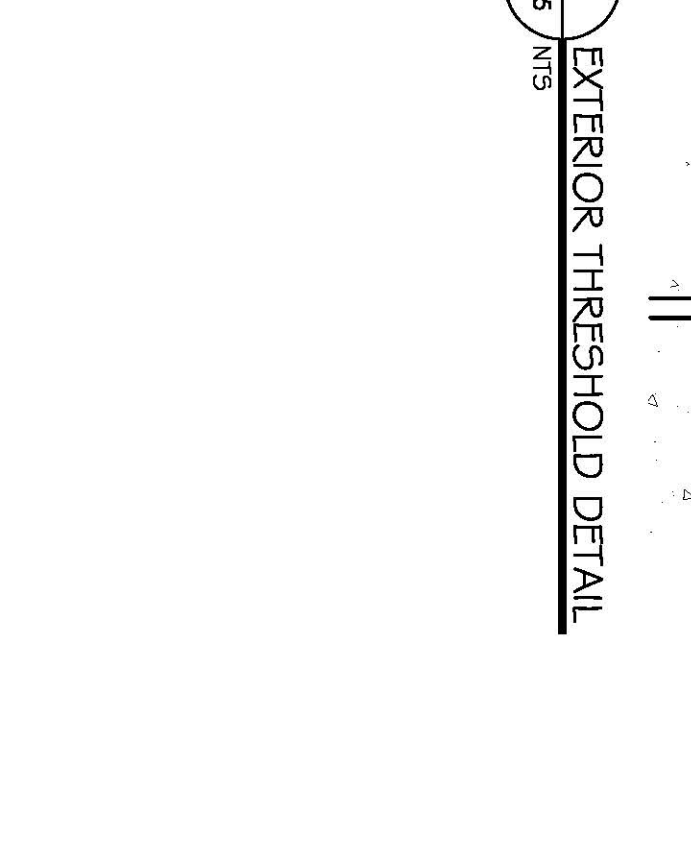
12 VESTIBULE DOOR HEAD DETAIL
A115 NTS



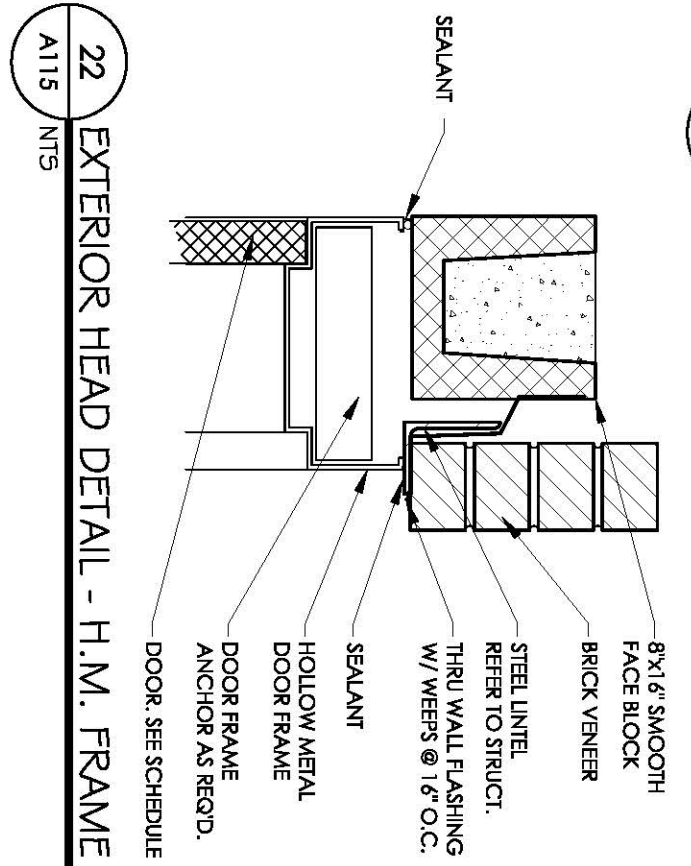
13 VESTIBULE DOOR JAMB DETAIL
A115 NTS



21 THRESHOLD DETAIL
A115 NTS



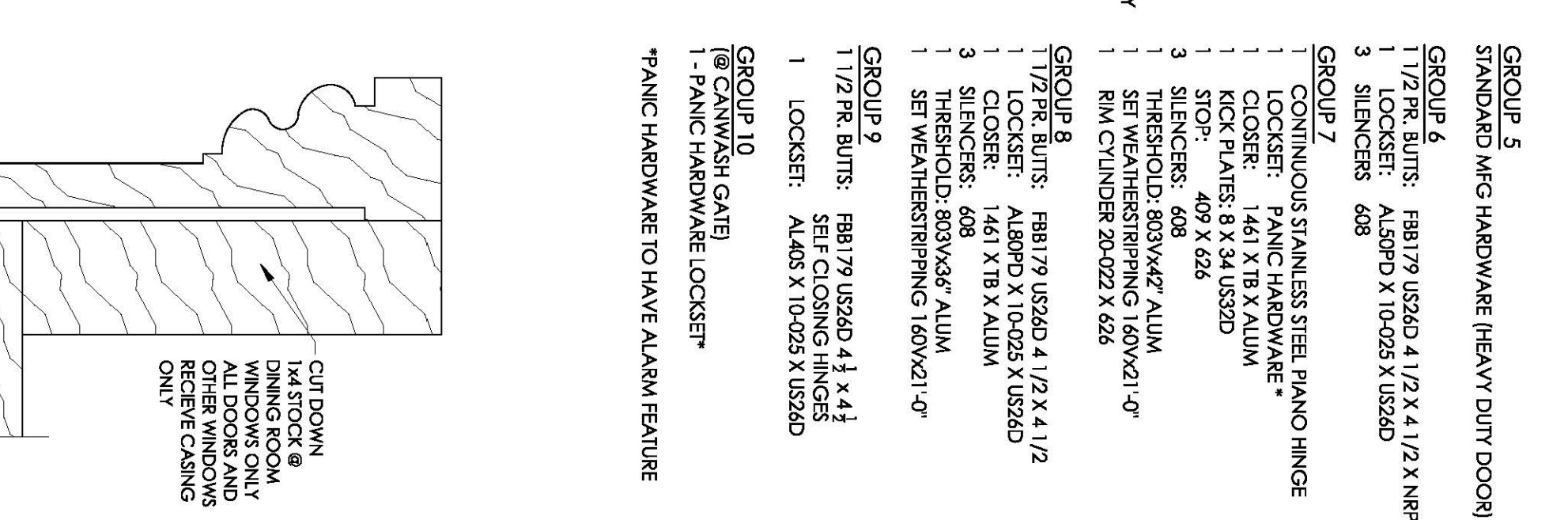
22 EXTERIOR HEAD DETAIL - H.M. FRAME
A115 NTS



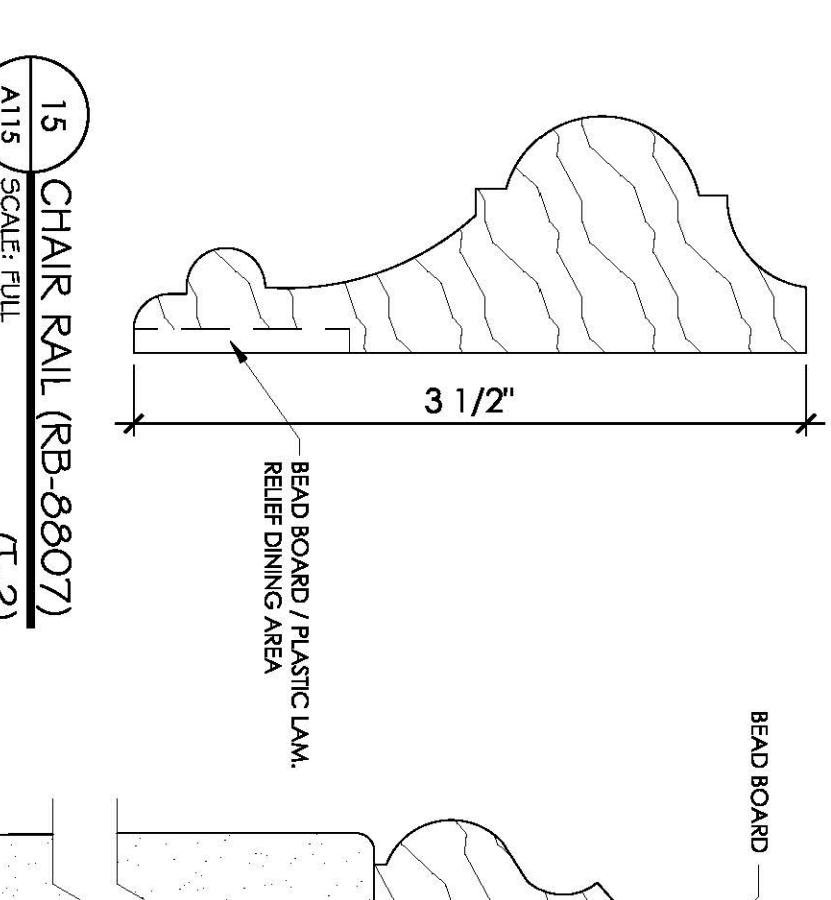
23 EXTERIOR JAMB DETAIL - H.M. FRAME
A115 NTS

- ALL DELIVERIES TO THE WORK SITE SHALL BE APPROVED AND ACCEPTED BY THE GENERAL CONTRACTOR.
- ALL FINISHES SHALL BE APPROVED BY THE OWNER.
- DOOR SPECIFICATIONS TO BE FOLLOWED UNLESS ALTERNATES ARE APPROVED BY THE OWNER.
- ANY DEVIATION FROM THESE SPECIFICATIONS SHALL BE REFERRED TO THE ARCHITECT BY THE OWNER. ANY DEVIATION IS SUBJECT TO RETAIL, AND REPLACEMENT WILL BE ORDERED OR CREDIT WILL BE GIVEN TO THE COST OF THE CONSTRUCTION.
- ALL GLASS WITHIN 2' OF ANY DOOR AND WITHIN 18" FROM FLOOR SHALL BE TINTED SAFETY GLASS.
- ALL DOORS USED IN THE MEANS OF EGRESS EXITS SHALL BE SIDE HINGED AND SWING IN THE DIRECTION OF EGRESS. IF ANY LOCKING OR LATCHING DEVICES TO BE PROVIDED, ONLY NFPA APPROVED HARDWARE MAY BE USED.
- EXIT DOORS SHALL NOT BE SUBJECT TO THE USE OF A KEY FOR OPERATION FROM THE INSIDE OF THE BUILDING (NFPA 101 5.2.1.5.1) DURING HOURS THAT THE BUILDING IS OCCUPIED.
- DOORS WHICH ARE REQUIRED TO BE HANDICAP ACCESSIBLE SHALL MEET A.D.A. SECTION 41 AND 41.3 REQUIREMENTS.
- EVERY DOOR INSIDE AND OUTSIDE OF THE BUILDING SHALL BE PROVIDED WITH HANDICAP HARDWARE (LEVERS, PANIC HARDWARE, ETC.).
- HARDWARE FOR HANDICAP ACCESSIBLE PASSAGE SHALL BE MOUNTED BETWEEN 36" AND 48" ABOVE FINISHED FLOOR.
- THE FLOOR ON BOTH SIDES OF A DOOR SHALL BE LEVEL AND SHALL BE SMOOTH FOR A DISTANCE AT LEAST EQUAL TO THE WIDTH OF THE WIDEST SINGLE DOOR (NFPA 101 5.2.1.3.3).
- ANY DOOR WITH A CLOSER SHALL HAVE ITS SWEEP PERIOD ADJUSTED SO THAT FROM AN OPEN POSITION IT TAKES NO MORE THAN 3 SECONDS TO MOVE TO THE LATCH AND THE LEADING EDGE OF THE DOOR.
- A DOOR OPENING FORCE FOR PUSHING OR PULLING TO OPEN A DOOR WITH CLOSER SHALL BE AS FOLLOWS: INTERIOR DOORS: 5 POUNDS FORCE. EXTERIOR DOORS: 8 POUNDS FORCE.
- DOORS LEADING TO THE EXTERIOR OF THE BUILDING SHALL HAVE WEATHER STRIPPING APPLIED. WEATHER STRIPPING AT SILLS MAY BE VINYL GASKET OR NEOPRENE STRIPS ATTACHED TO THE BOTTOM EDGE. NEOPRENE STRIPS ATTACHED TO THE TOP EDGE. WEATHER STRIPPING APPLIED TO THE DOOR EDGE.

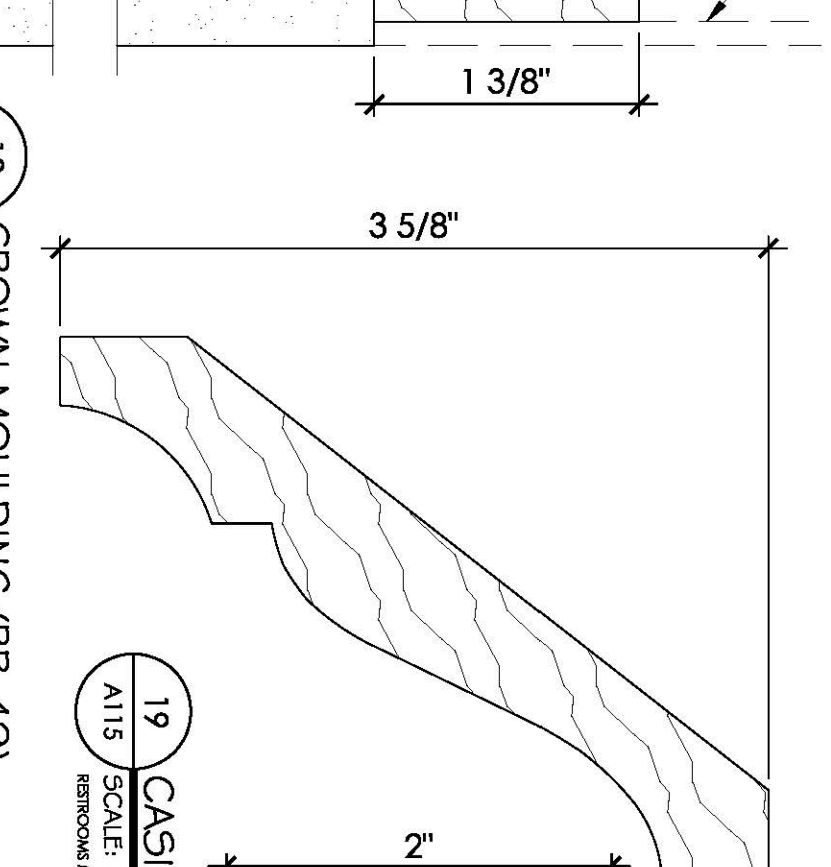
- GROUP 1
KAWNEER 380 3X7 #29 BLACK FINISH
KAWNEER 1866 CONCEALED ROD PANIC BRT DEVICE
1. ADVANSITE MORTISE CYLINDER #20-013 X 626
C.O. 9" PULL
2 1/2" BOTTOM RAIL
4" THRESHOLD #20A X 36 WOOD
1.0N 4041 DEL. CLOSER BLACK FINISH OR EQUAL
KAWNEER 480 TRIP PANIC HARDWARE W/TRANSONOM
1. CLEAN TEMPERED GLAZING
- GROUP 2
KAWNEER 380 18 X 71 #29 BLACK FINISH
NO LOCKING
1 1/2" PR. BUTTS
CO-9/COPPI PUSH/PULL
2 1/2" BOTTOM RAIL
1.0N 4041 DEL. FACTORY CLOSER BLACK FINISH OR EQUAL
KAWNEER 480 TRIP PANIC HARDWARE W/TRANSONOM
1. CLEAN TEMPERED GLAZING
- GROUP 3
1 1/2 PR. BUTTS: F88179 US24D 4 1/2 X 4 1/2
1. PUSH PLATE & PULL HANDLE
1. CLOSER: 1.461 X 18 X ALUM
1. KICKSTAND HOLD OPEN DEVICE
3. SILNCERS: 608
- GROUP 4
1 1/2 PR. BUTTS: F88179 US24D 4 1/2 X 4 1/2
1. PUSH PLATE & PULL HANDLE
1. CLOSER: 1.461 X 18 X ALUM
1. KICKSTAND HOLD OPEN DEVICE
3. SILNCERS: 608
- GROUP 5
STANDARD MFG HARDWARE (HEAVY DUTY DOOR)
- GROUP 6
1 1/2 PR. BUTTS: F88179 US24D 4 1/2 X 4 1/2 X NRP
1. LOCKER: AL89PD X 10-025 X US24D
3. SILNCERS: 608
- GROUP 7
1. CONTINUOUS STAINLESS STEEL PANNO HINGE
1. LOCKER: PANIC HARDWARE
1. CLOSER: 1.461 X 18 X ALUM
1. KICK PLATES: 8 X 34 US24D
3. SILNCERS: 608
1. THRESHOLD: 803V42" ALUM
1. SET WEATHERSTRIPPING 160V21-1"
- GROUP 8
1 1/2 PR. BUTTS: F88179 US24D 4 1/2 X 4 1/2
1. PUSH PLATE & PULL HANDLE
1. CLOSER: 1.461 X 18 X ALUM
1. KICKSTAND HOLD OPEN DEVICE
3. SILNCERS: 608
- GROUP 9
1 1/2 PR. BUTTS: F88179 US24D 4 1/2 X 4 1/2
1. LOCKER: AL405 X 10-025 X US24D
3. SILNCERS: 608
- GROUP 10
1. PANIC HARDWARE LOCKER
1. PANIC HARDWARE TO HAVE ALARM FEATURE



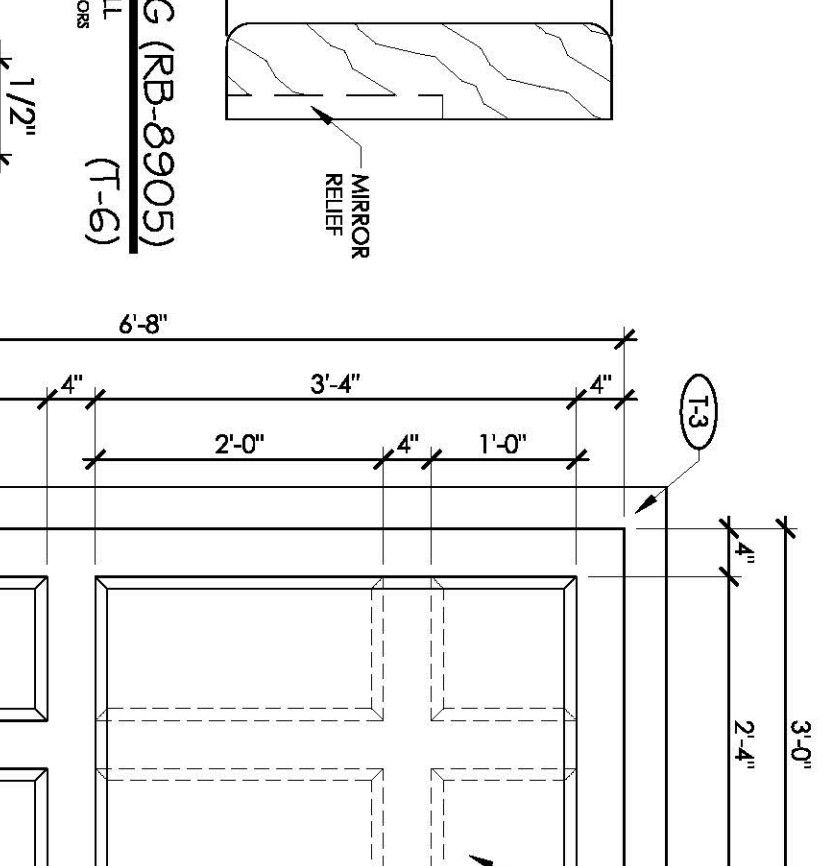
14 CASING DETAIL (RB-3) OVER 1 X 4 STOCK
A115 SCALE: FULL (T-3)



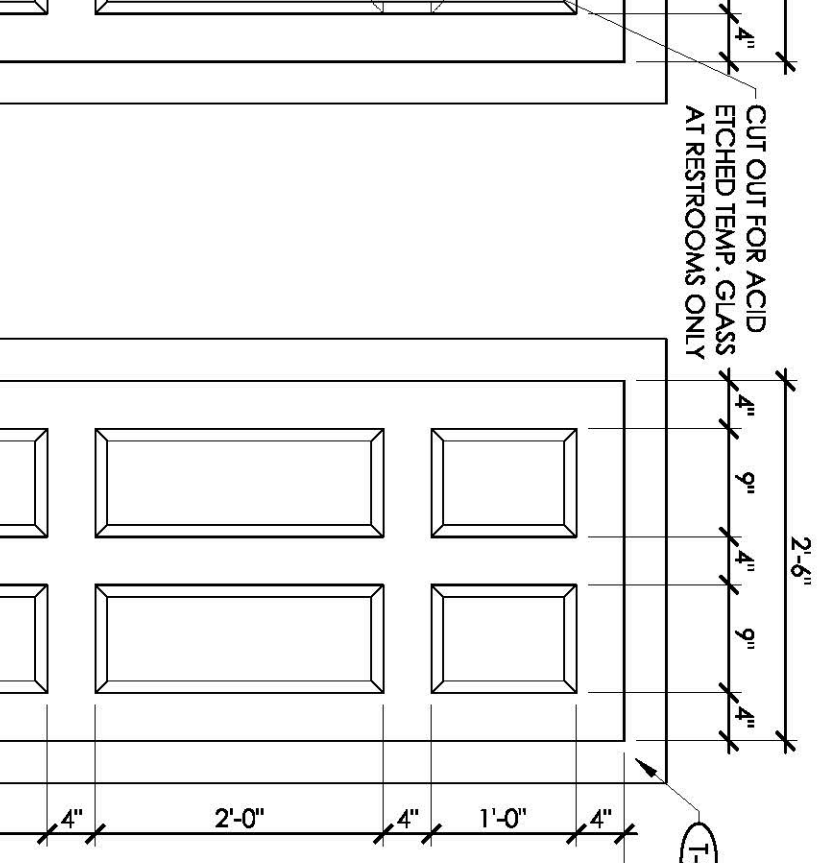
15 CHAIR RAIL (RB-8807)
A115 SCALE: FULL (T-2)



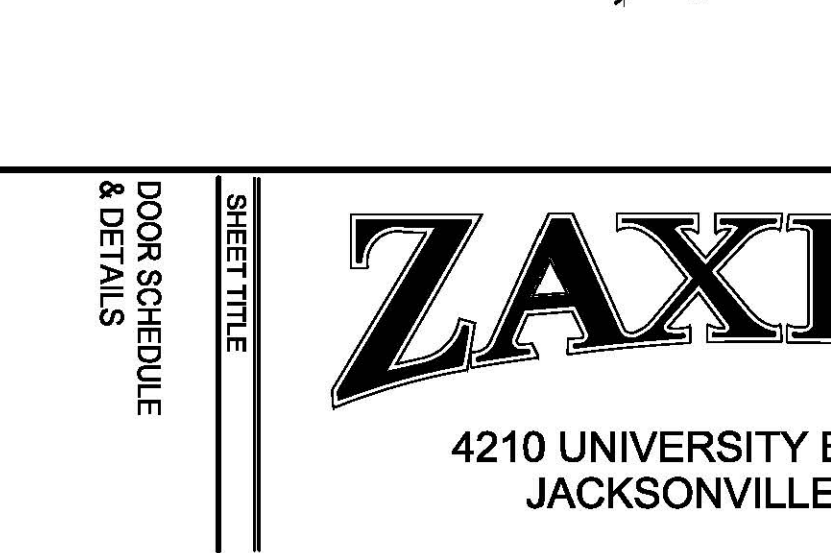
16 CORNER GUARD (RB-205)
A115 SCALE: FULL (T-5)



17 CERAMIC CUT TILE BASE (CTB)
A115 SCALE: FULL (T-1)



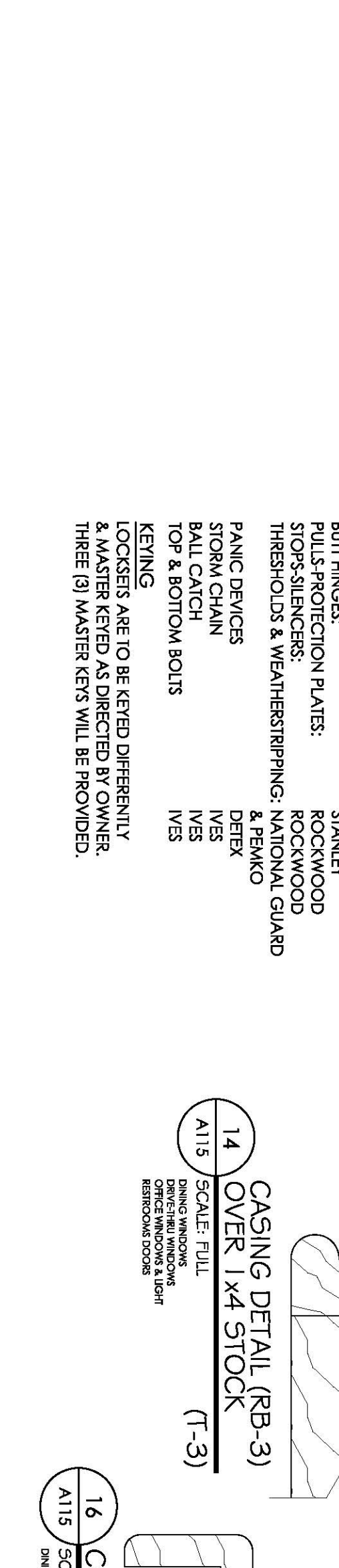
18 CROWN MOULDING (RB-49)
A115 SCALE: FULL (T-4)



19 CASING (RB-8905)
A115 SCALE: FULL (T-6)

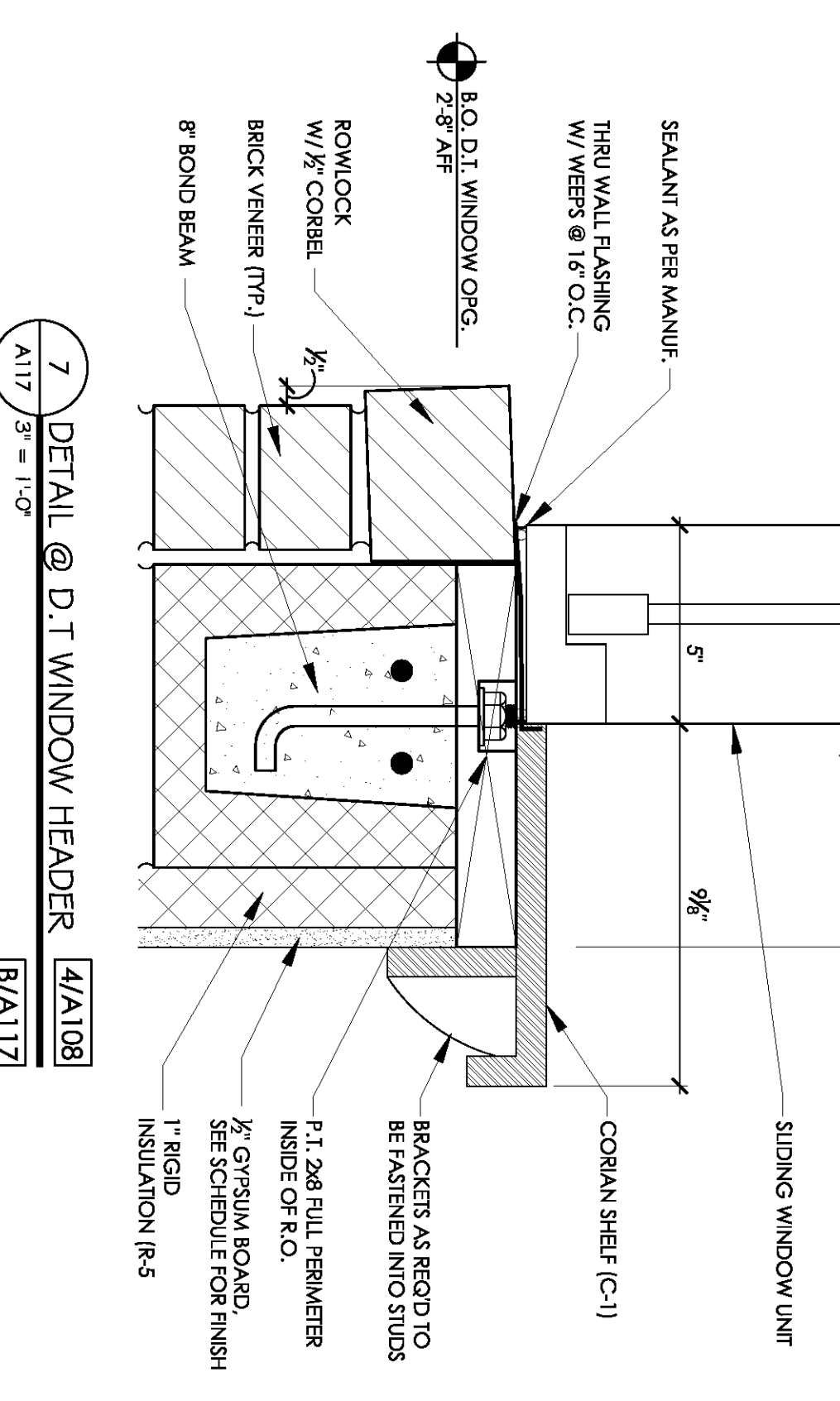
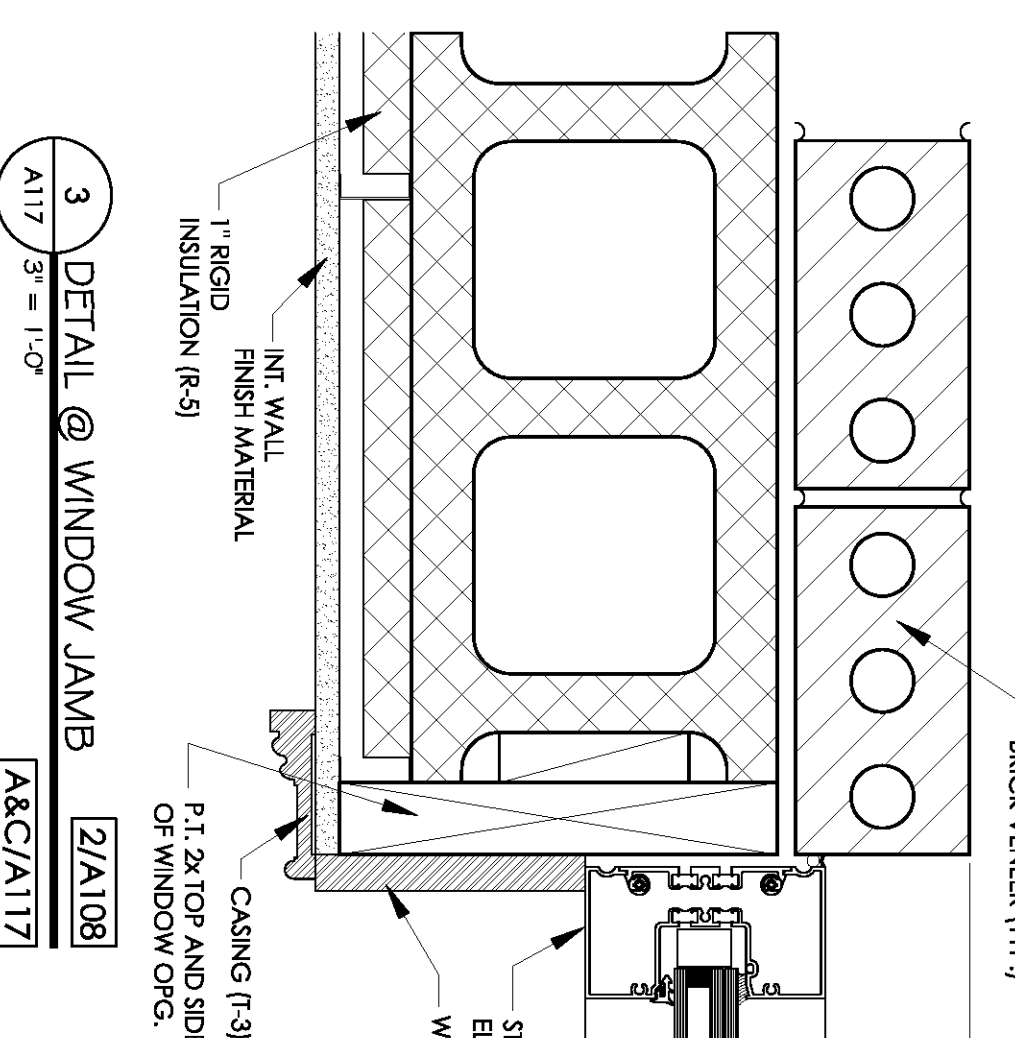
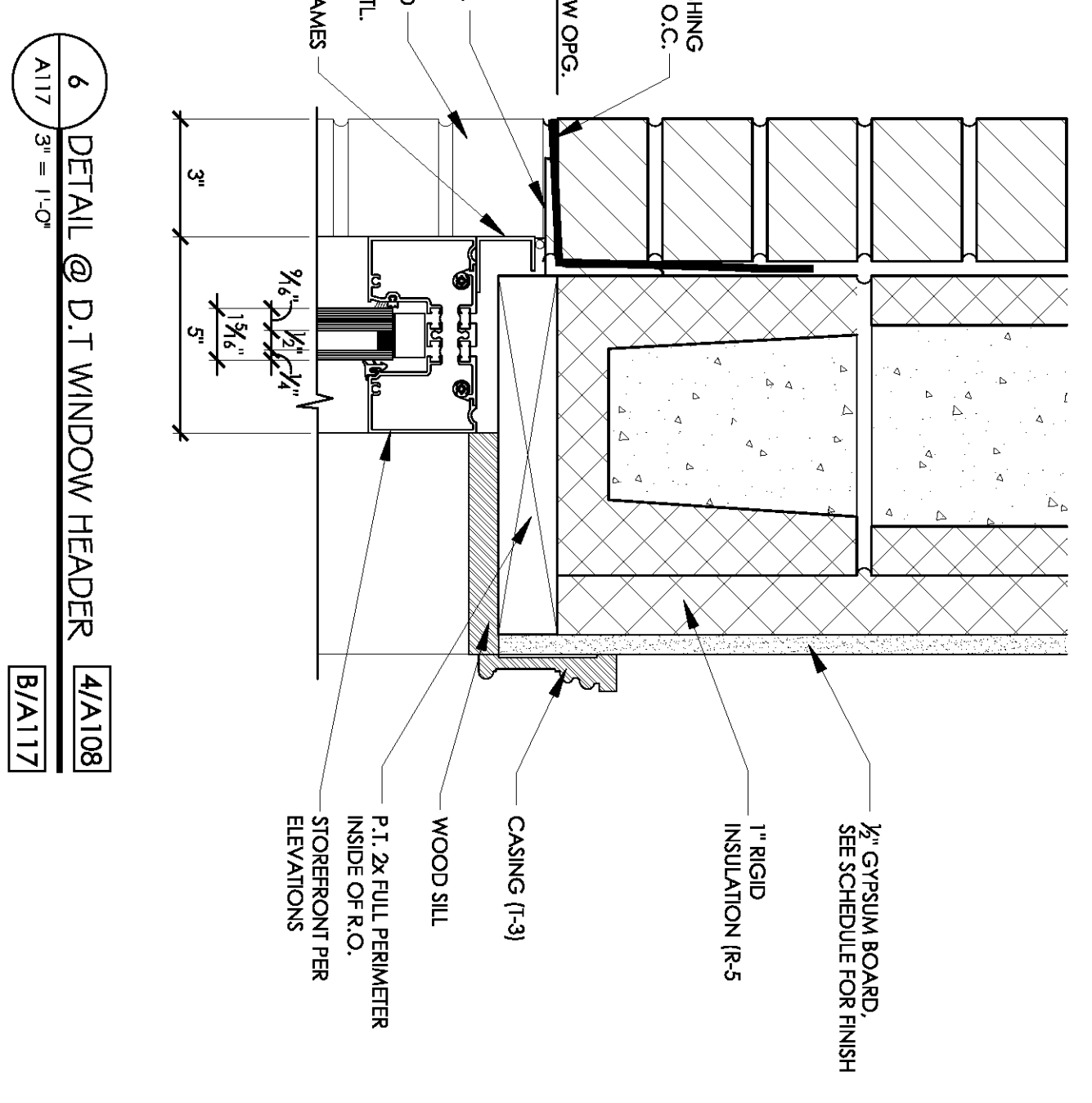
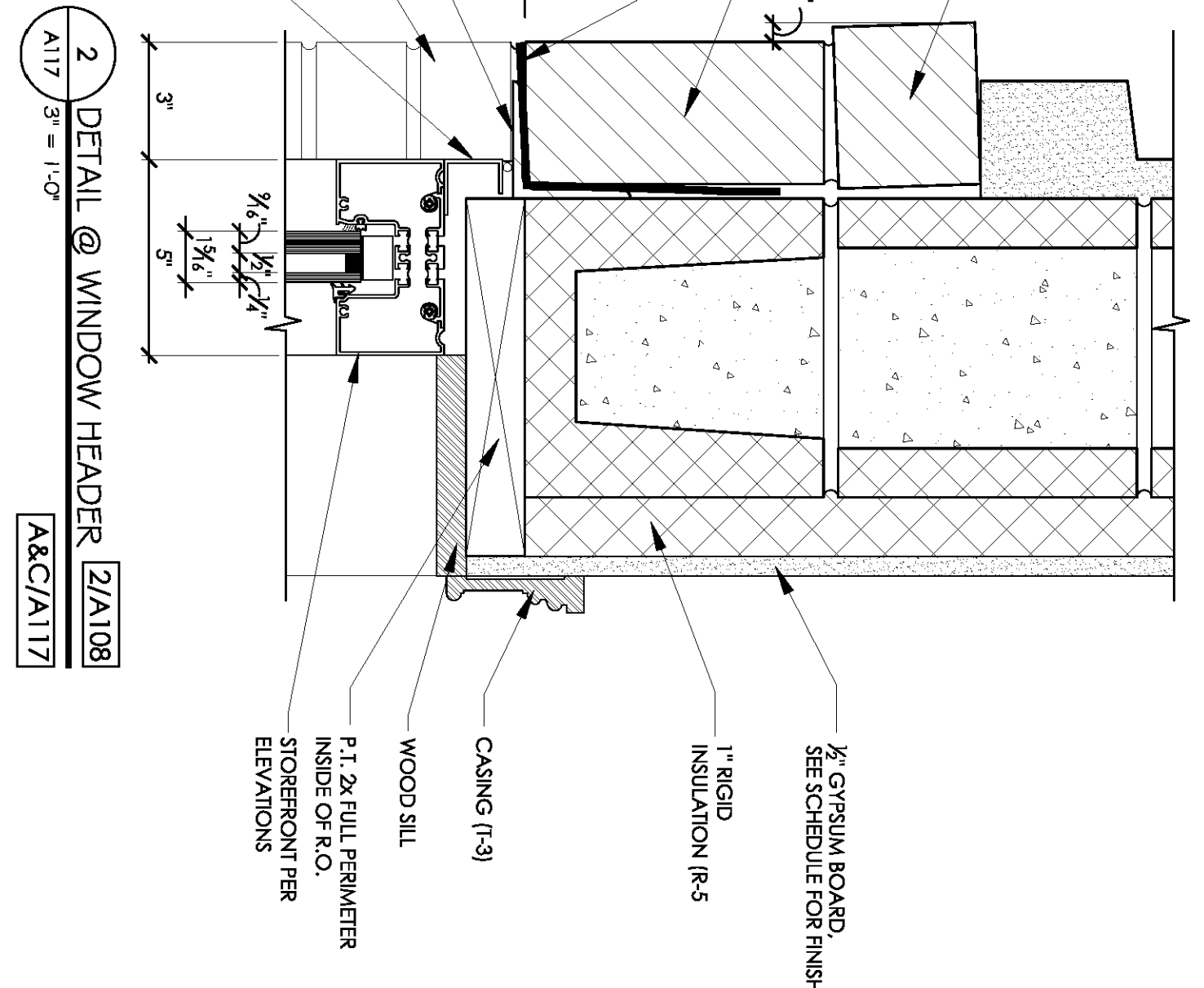
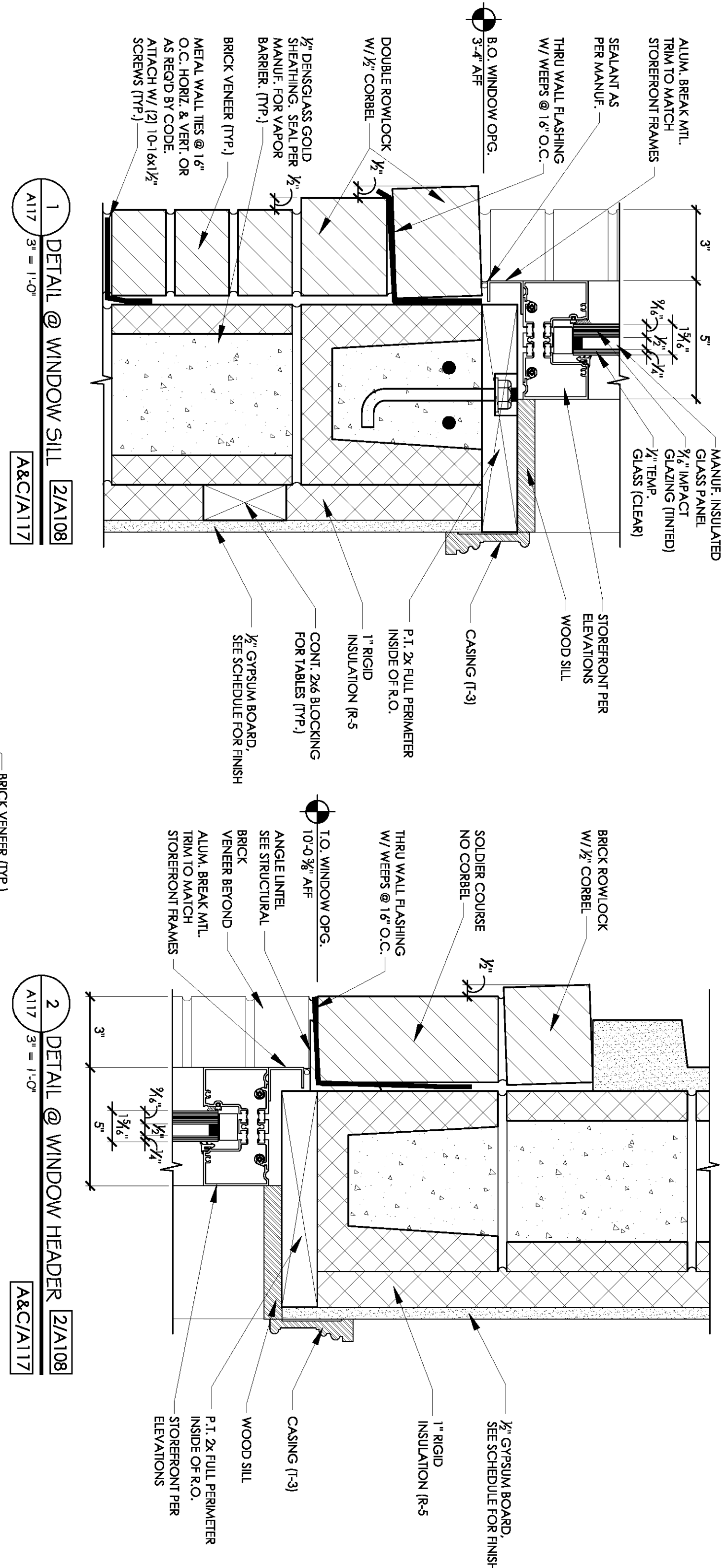
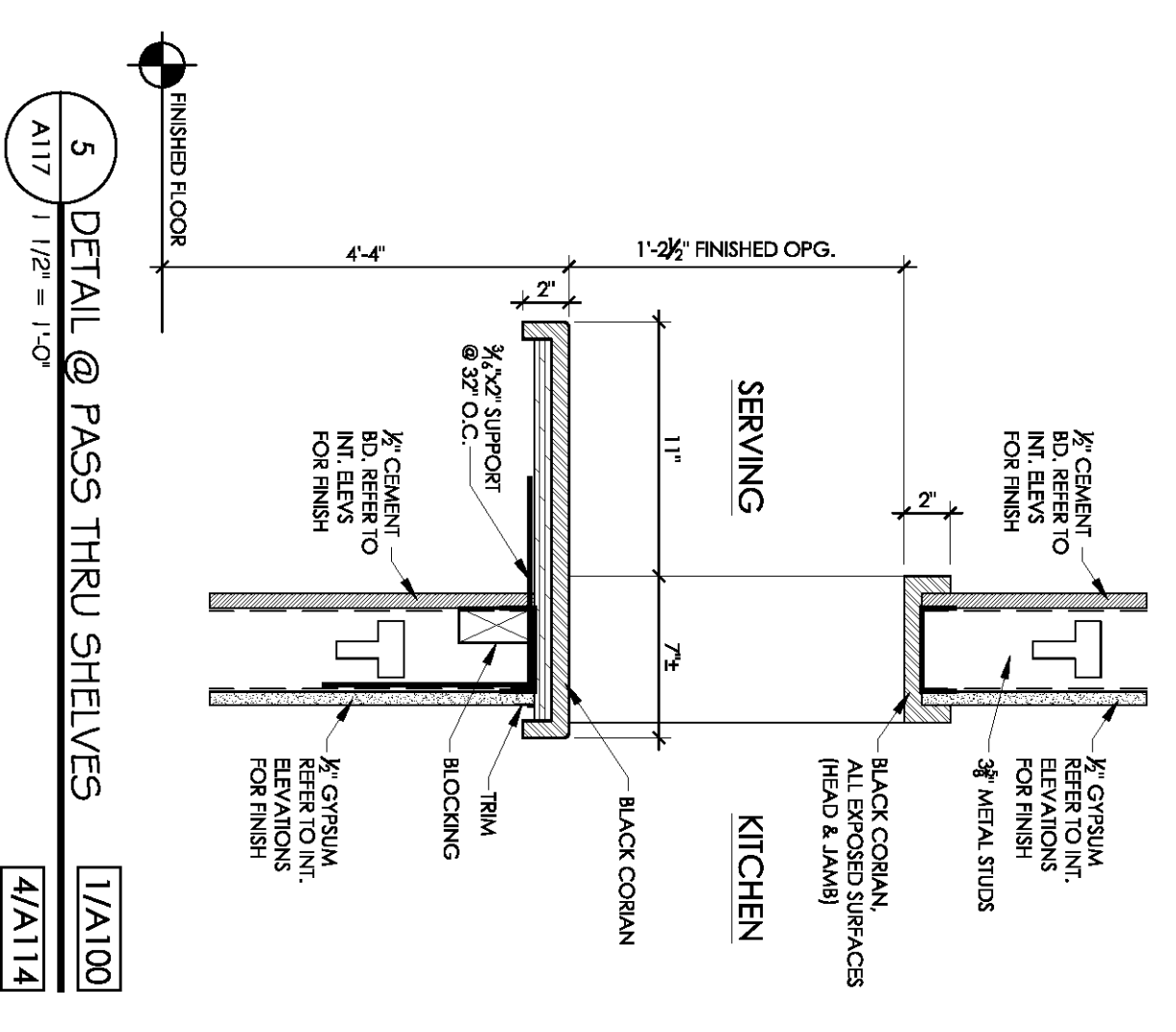
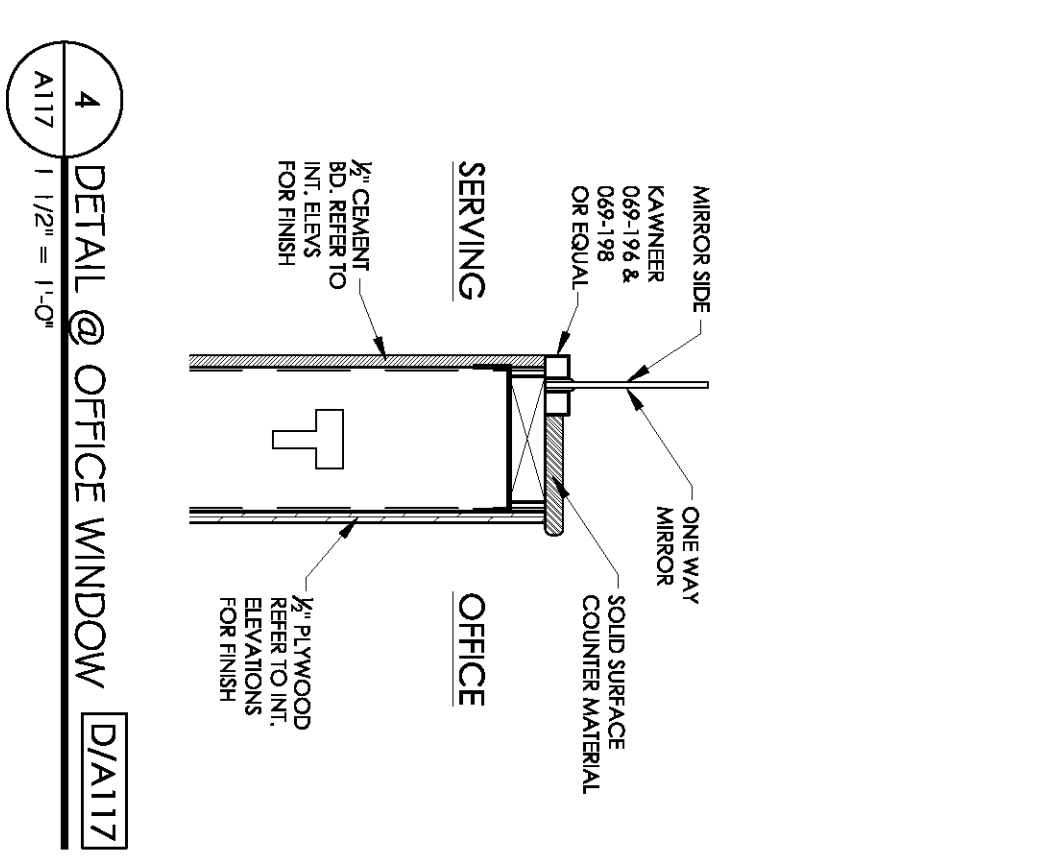
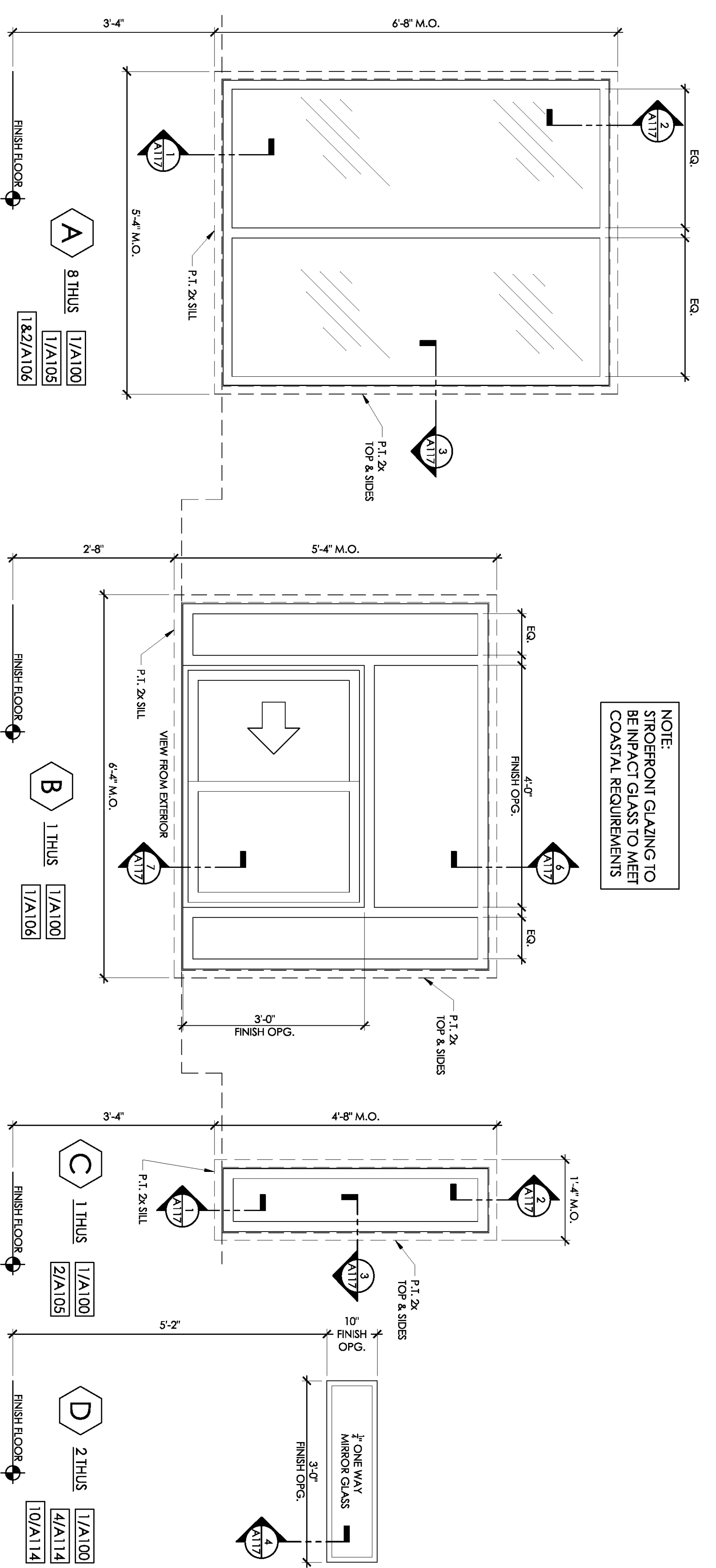


20 STOP (RB-32)
A115 SCALE: FULL (T-7)



24 6-PANEL DOOR ELEVATIONS
A115 3/4" = 1'-0"

NOTE:
STRENGTH GLAZING TO
BE IN PACT GLASS TO MEET
COASTAL REQUIREMENTS



ZAXBY'S
4210 UNIVERSITY BLVD., SOUTH
JACKSONVILLE, FL 32207

PROJECT NAME & ADDRESS

DRAWN BY: SAG
CHECK BY: DS
SEAL

RELEASED FOR
CONSTRUCTION

ISSUE/REVISIONS
DATE DESCRIPTION
DATE PREPARED

MRP DESIGN GROUP
3450 Acorn Drive West Road
Riverview, FL 33414
P. 878-574-5782
F. 770-917-5410
www.mrpdesign.com

SHEET TITLE
WINDOW DETAILS
PROJECT NO. 11075
A117

